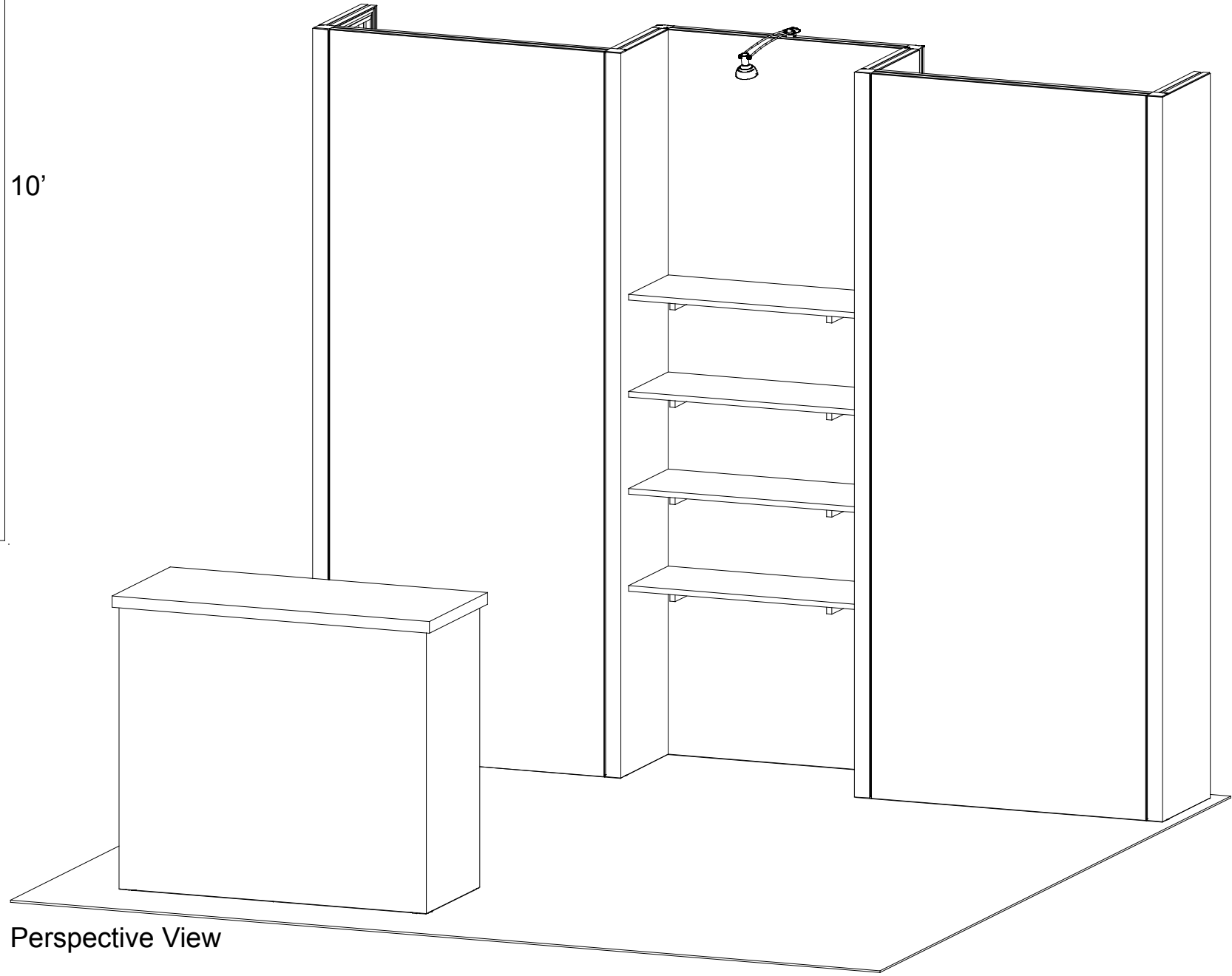


Plan View



Perspective View

## General Setup Instructions

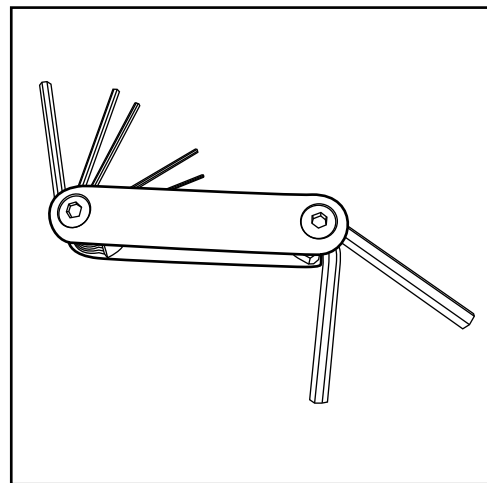
- Read entire setup instruction manual prior to unpacking parts and pieces.
- The setup instructions are created specifically for this configuration.
- Setup instructions are laid out sequentially in steps, including exploded views with detailed explanation for assembly.

## Cleaning & Packing

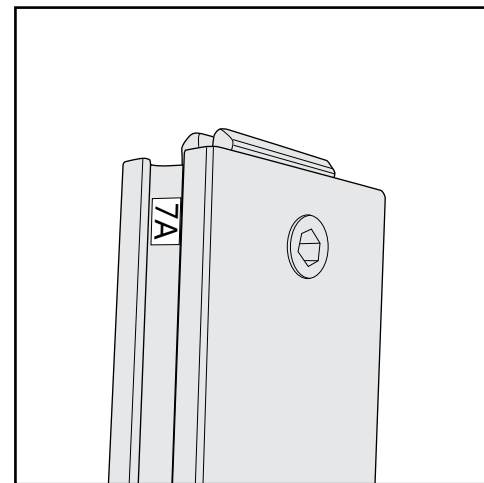
- For Cleaning Metal, Plex, & Laminate Parts: Use a **MILD NON-ABRASIVE** cleanser and soft cloth/paper towel to clean all surfaces.
- Keep exhibit components away from heat and prolonged sun exposure. **Heat and UV exposure will warp and fade components.**
- Retain all provided Packing Materials. All provided packing materials are for ease of repacking & component protection.

## Disassembly

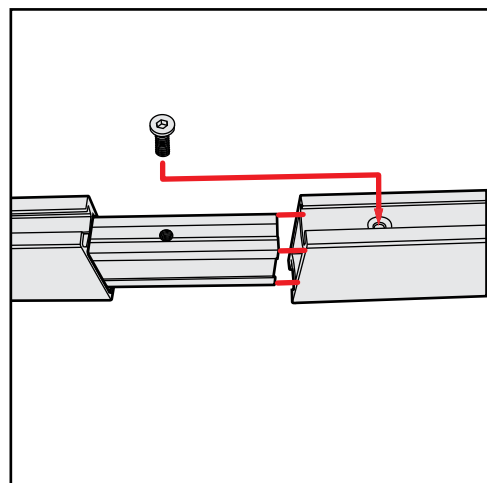
- For loss prevention, tighten all set screws and locks during disassembly.



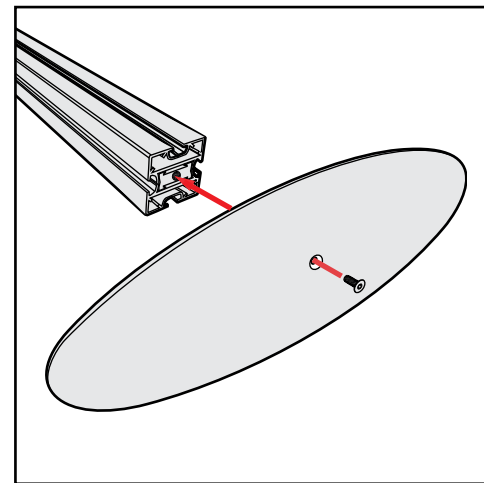
Hex Tool - Essential for Assembly



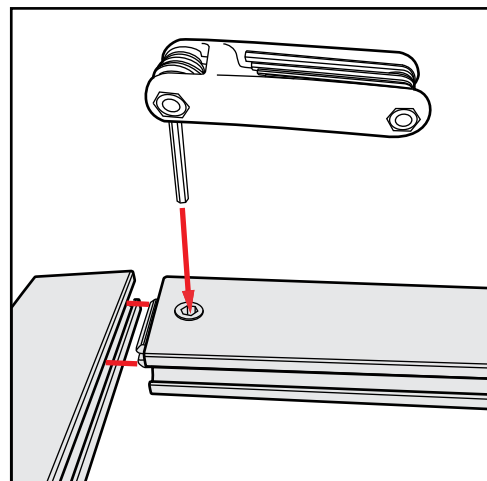
Part Identification - Numbering



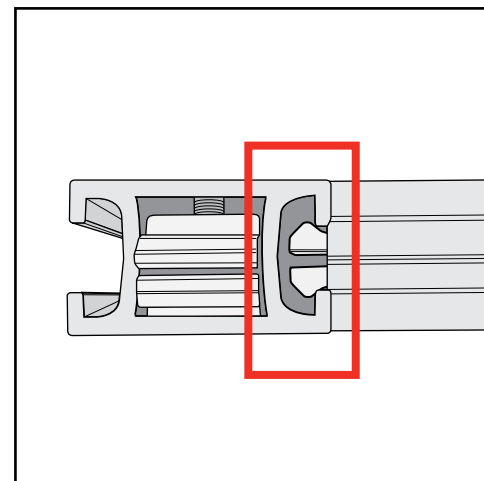
Spline Connection



Base Plate & Extrusion Connection



Extrusion & Lock Connection



Engaged Lock



**WARNING**



DO NOT USE POWER TOOLS



LADDERS OR LIFTS  
MAY BE REQUIRED



ALL CONNECTIONS MUST  
BE TIGHTLY SECURED

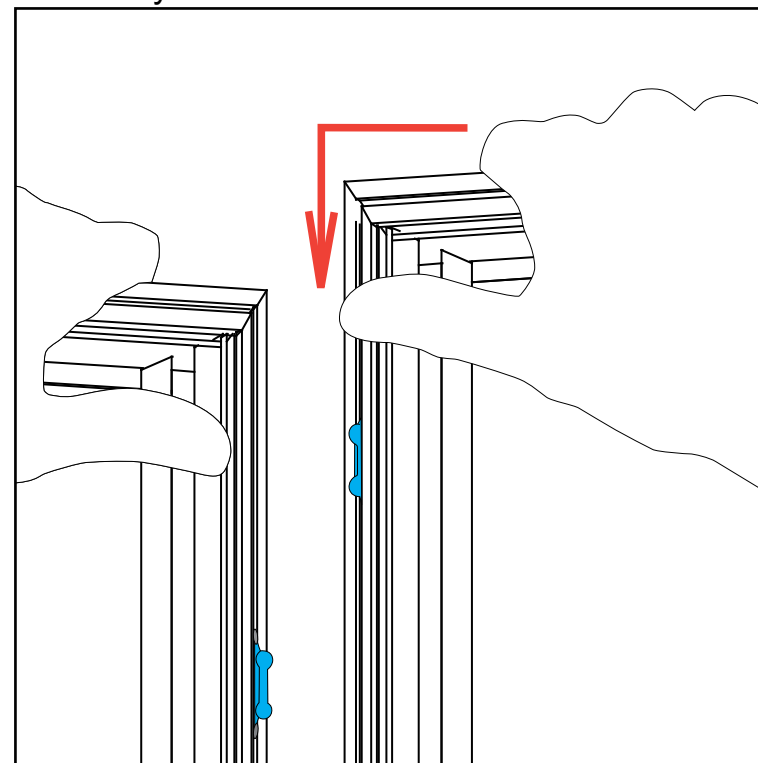
## Side-by-Side Assembly

- 1) Frames: Place frames side-by-side with one higher than the other, then slide panel down to lock panels securely together.
- 2) Corner Connectors: Repeat Step 1 for installing corner connectors to frames.

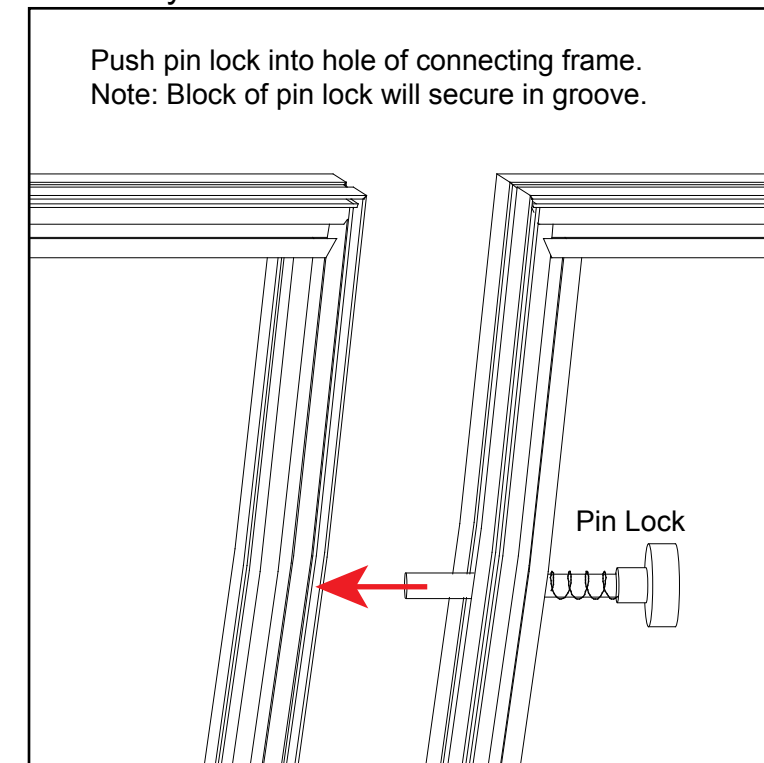
## Side-by-Side Disassembly

- 1) Pull pin lock outwards to disengage.
- 2) Pull frames upward and apart at the same time to detach.

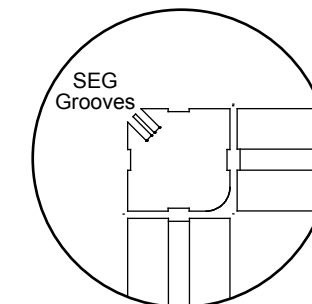
Assembly



Assembly Cont'd



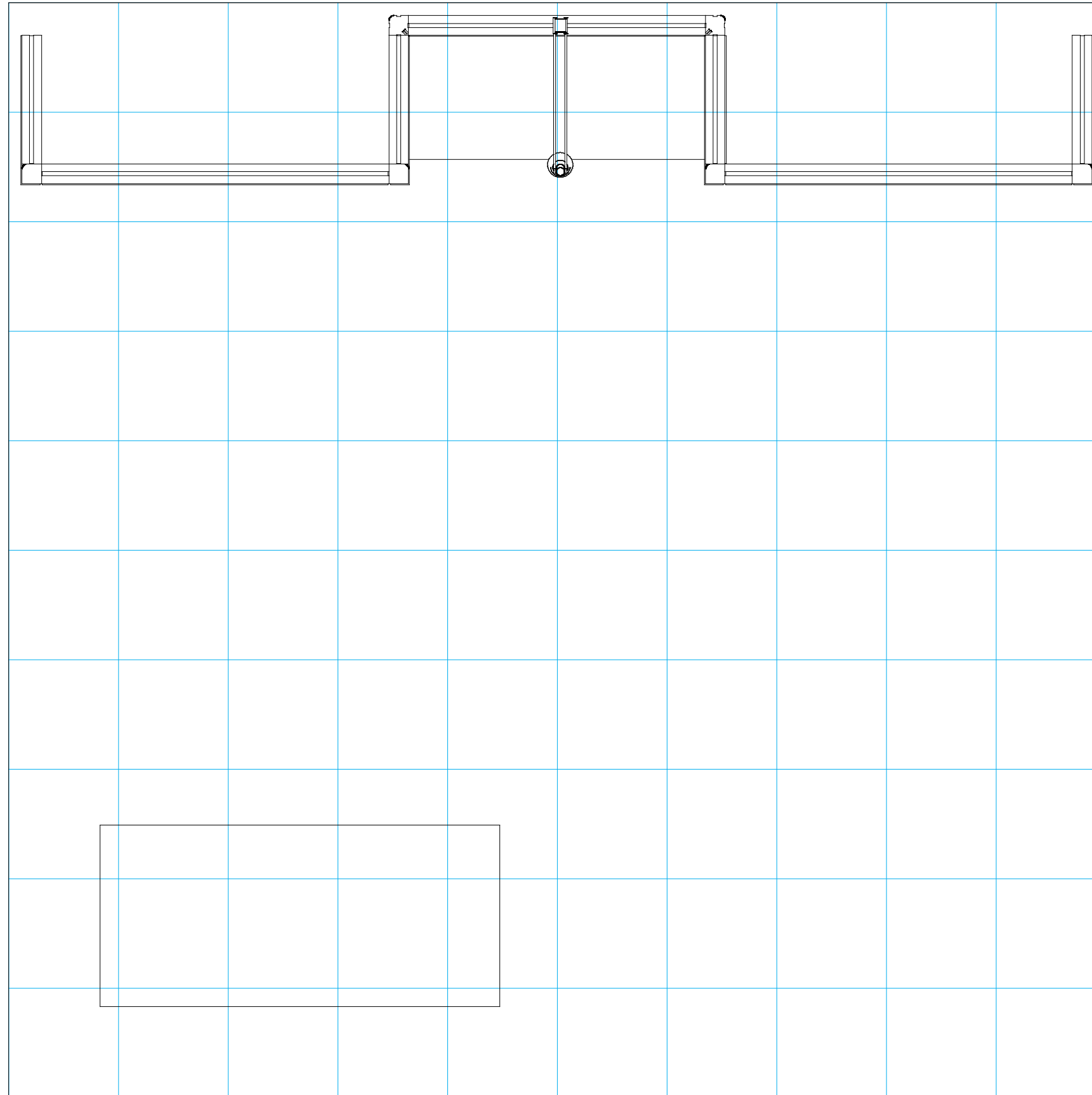
Corner Connector



Top View

Note: Orientation of Corner Connector may change.



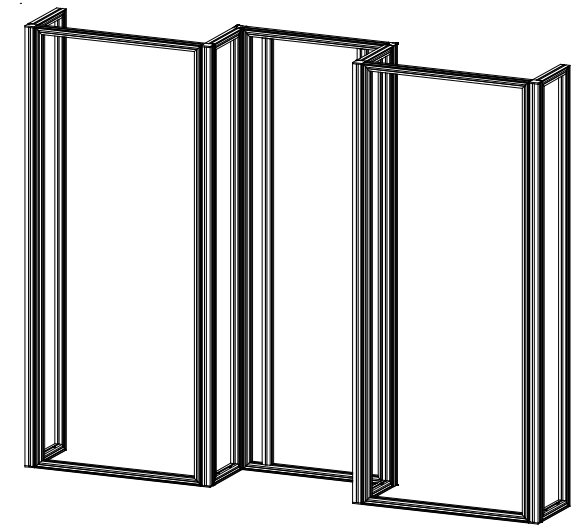


= 1 sq foot

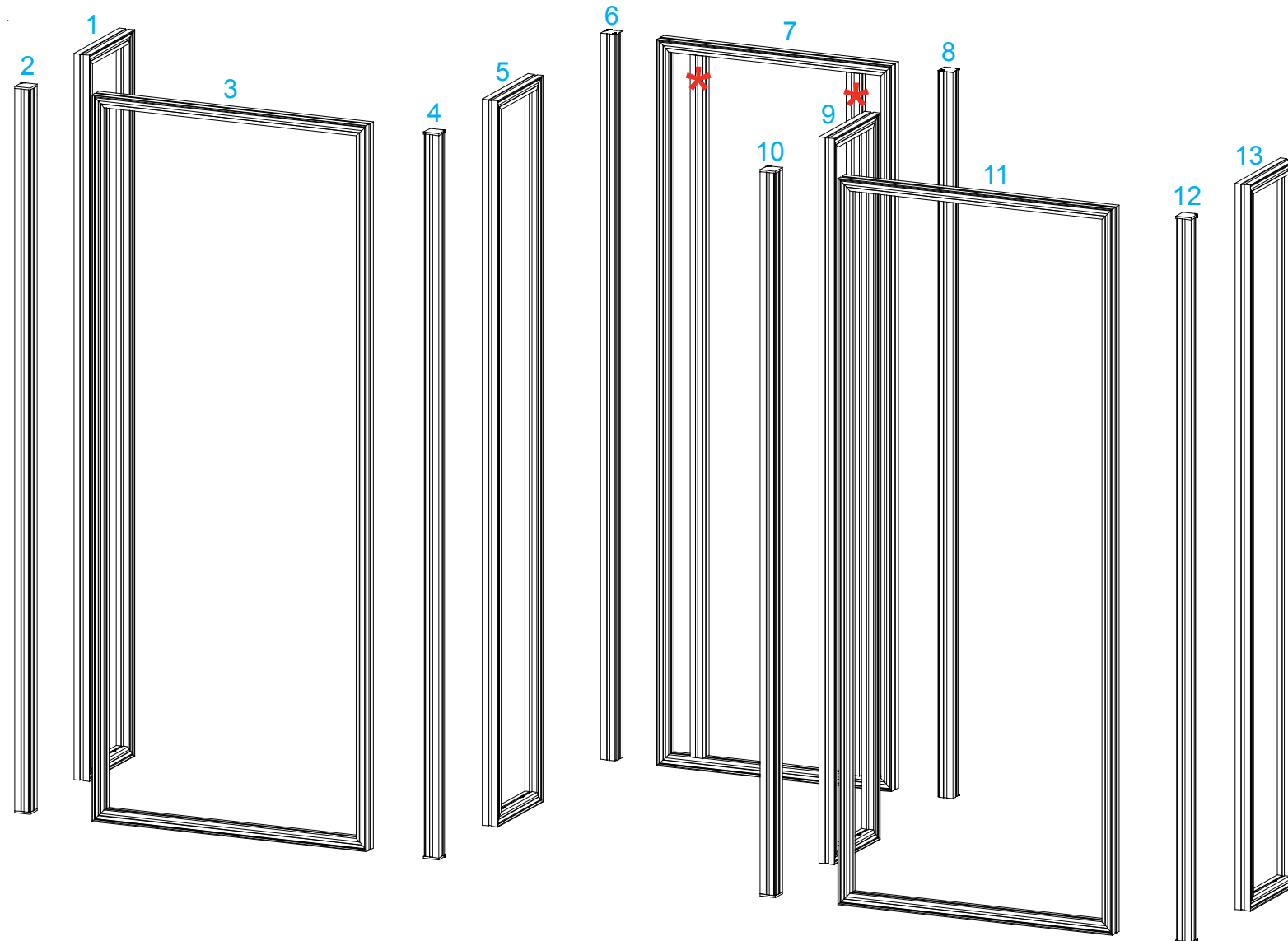
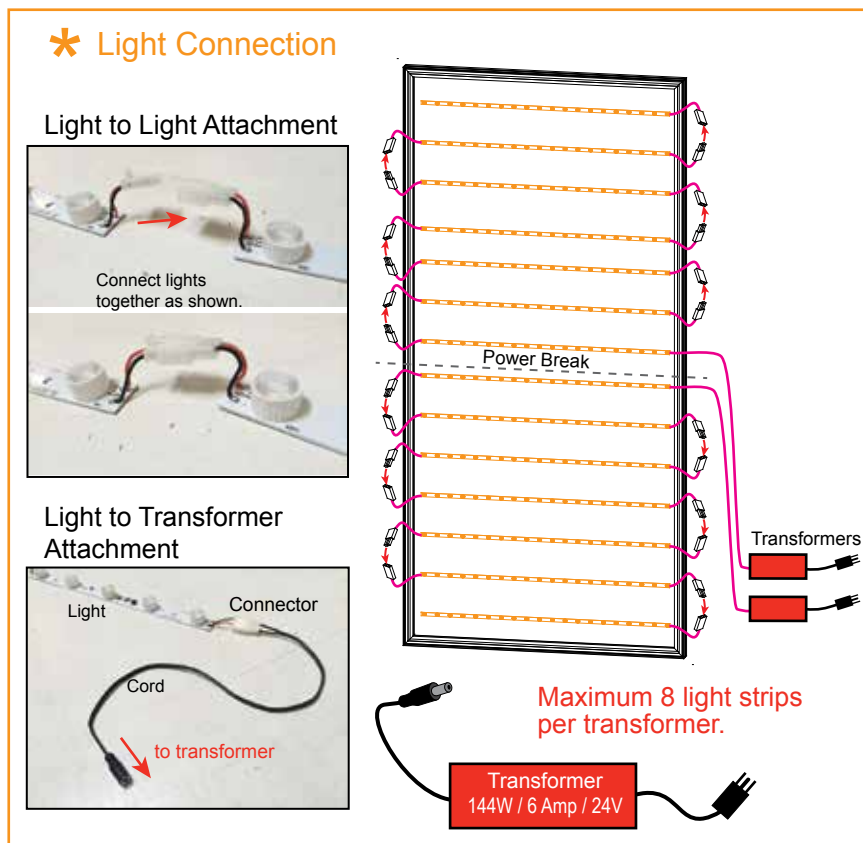
Item	Qty.	Description
1	1	14.125" w x 95" h Gravitee Panel
2	1	94.5" h Gravitee Corner Post w/ Caps Both Ends
3	1	38" w x 95" h Gravitee Panel
4	1	94.5" h Gravitee Corner Post w/ Caps Both Ends
5	1	14.125" w x 95" h Gravitee Panel
6	1	95" h Gravitee Corner Post
7	1	32.5" w x 95" h Gravitee Panel w/ Two 91.904" S44
8	1	95" h Gravitee Corner Post
9	1	14.125" w x 95" h Gravitee Panel
10	1	94.5" h Gravitee Corner Post w/ Caps Both Ends
11	1	38" w x 95" h Gravitee Panel
12	1	94.5" h Gravitee Corner Post w/ Caps Both Ends
13	1	14.125" w x 95" h Gravitee Panel

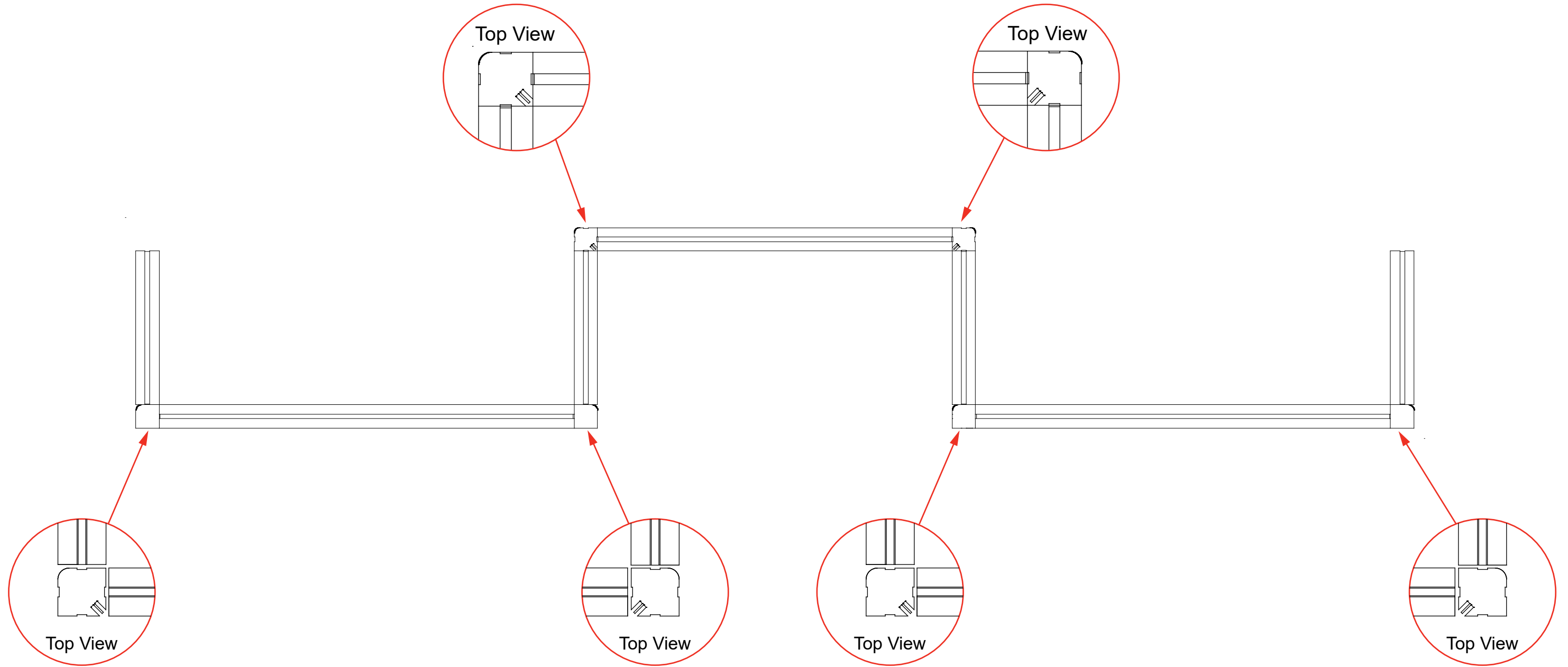
Steps:  
1) Starting with panel [1], connect panels and posts together in numerical order.  
See Gravitee Panel Assembly sheet for assembly instruction and GK-1014 Corner Post Orientation sheet.

**\* Keep all vertical extrusions attached inside panels.**

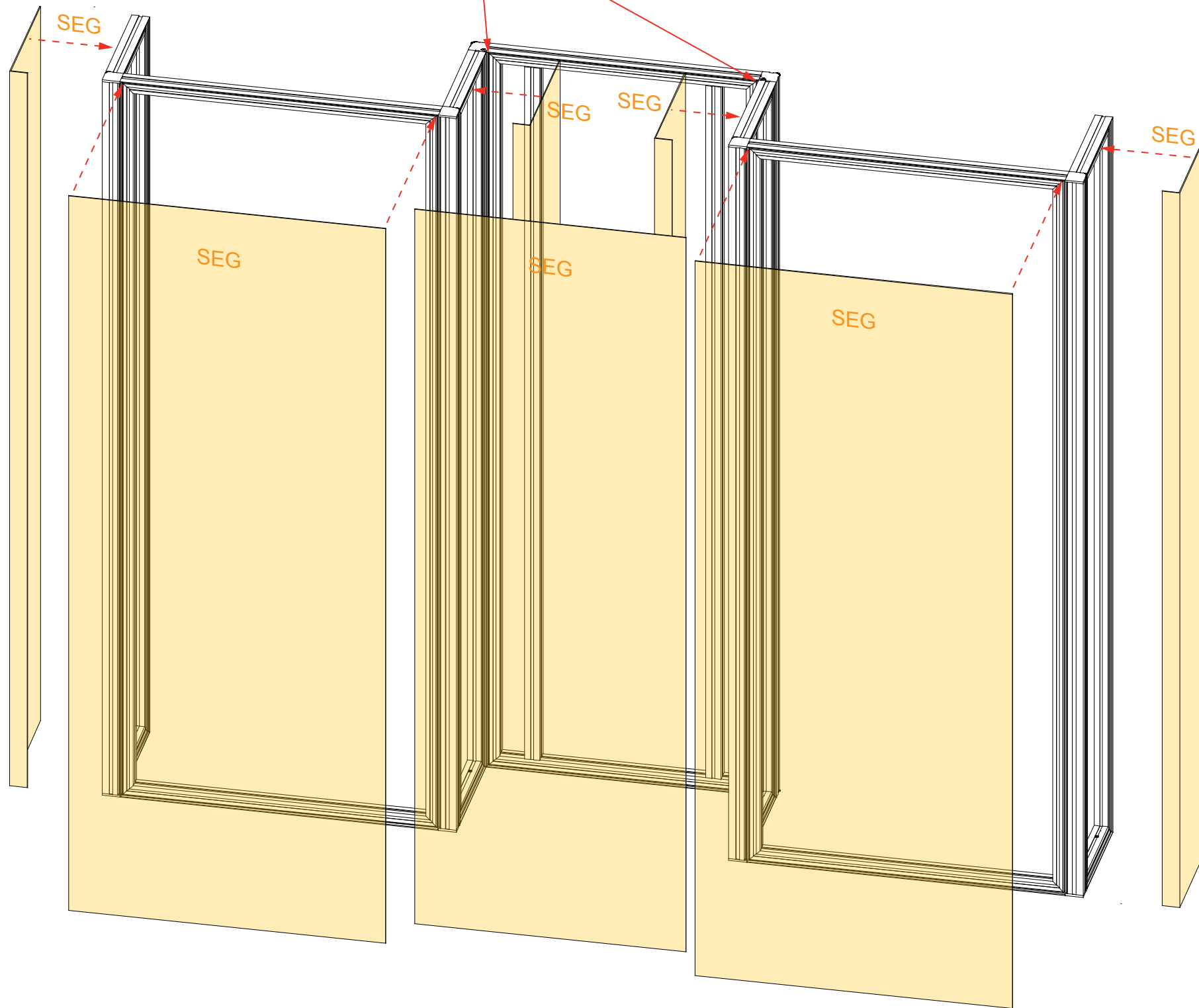


Completed Assembly

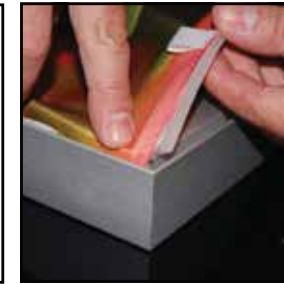
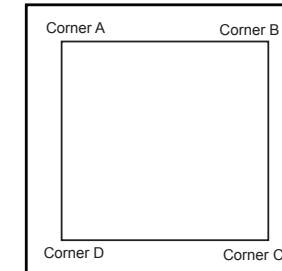




Limited space in corners requires extra attentive installation.



## SEG Graphic Attachment



It is important to first insert graphic into each alternate corner, then to the sides of the frame. If this is not done, graphic will not fit into the frame correctly.

**Step 1**  
Insert corner A. Turn edge of graphic so silicon welt is perpendicular to face of graphic. Insert narrow side of welt with fabric to outside into the channel. Repeat for other side of this corner.

**Step 2**  
Repeat Step 1 for opposite corner C, then insert corner B, followed by corner D, to complete the installation of the corners.



**Step 3**  
Once all corners are inserted, press one silicon edge into channel from corners and work toward the center. Make sure welt is fully inserted into channel. Continue until all sides are done. Smooth out edges of graphic.

### Graphic Removal



To remove the graphic from the frame, locate the fabric pull tab. Gently pull up on the tab to remove the fabric.

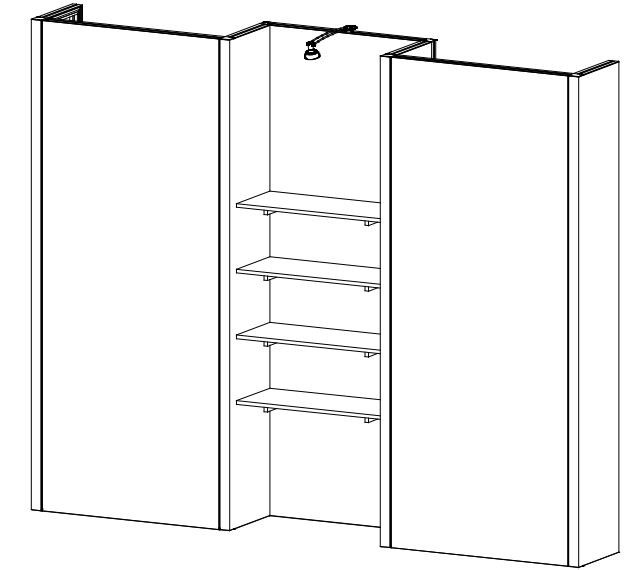
Steps:

- 1) Install SEG graphics to assembled panels as shown.

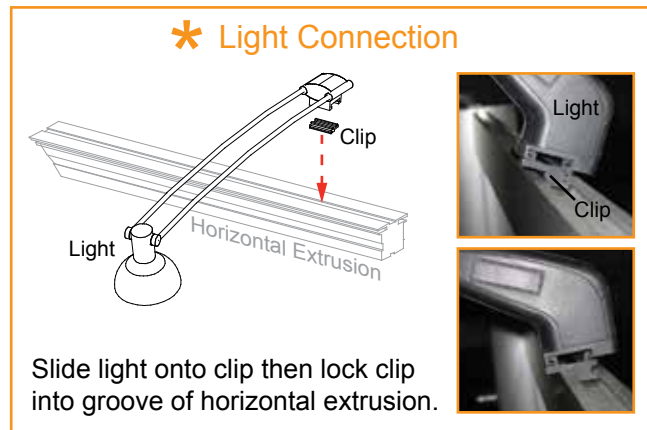
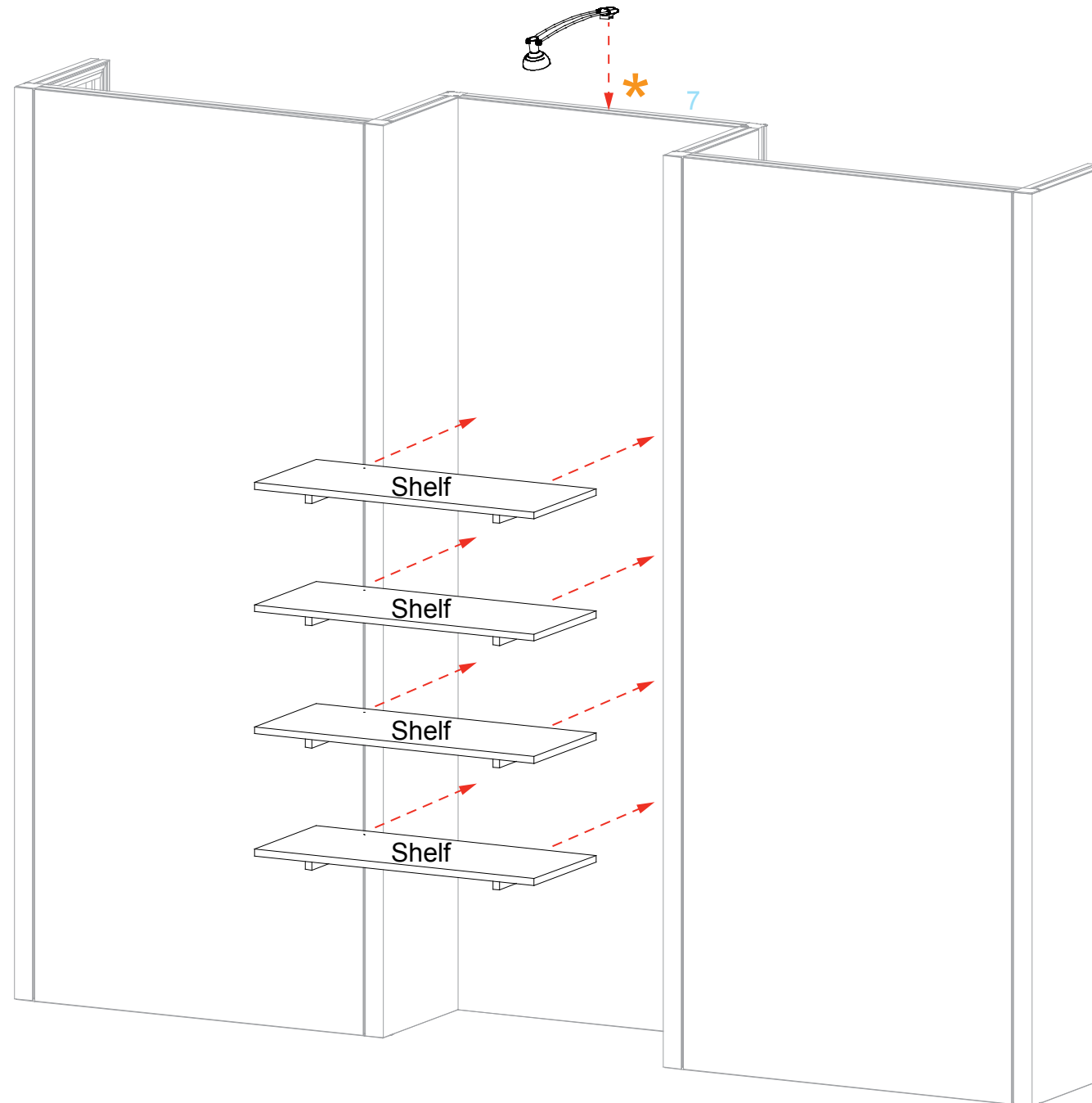


Steps:

- 1) Attach shelves, to panel [7], thru holes in graphic.
- 3) Connect lights to top of display where desired.  
See **Light Connection** detail.



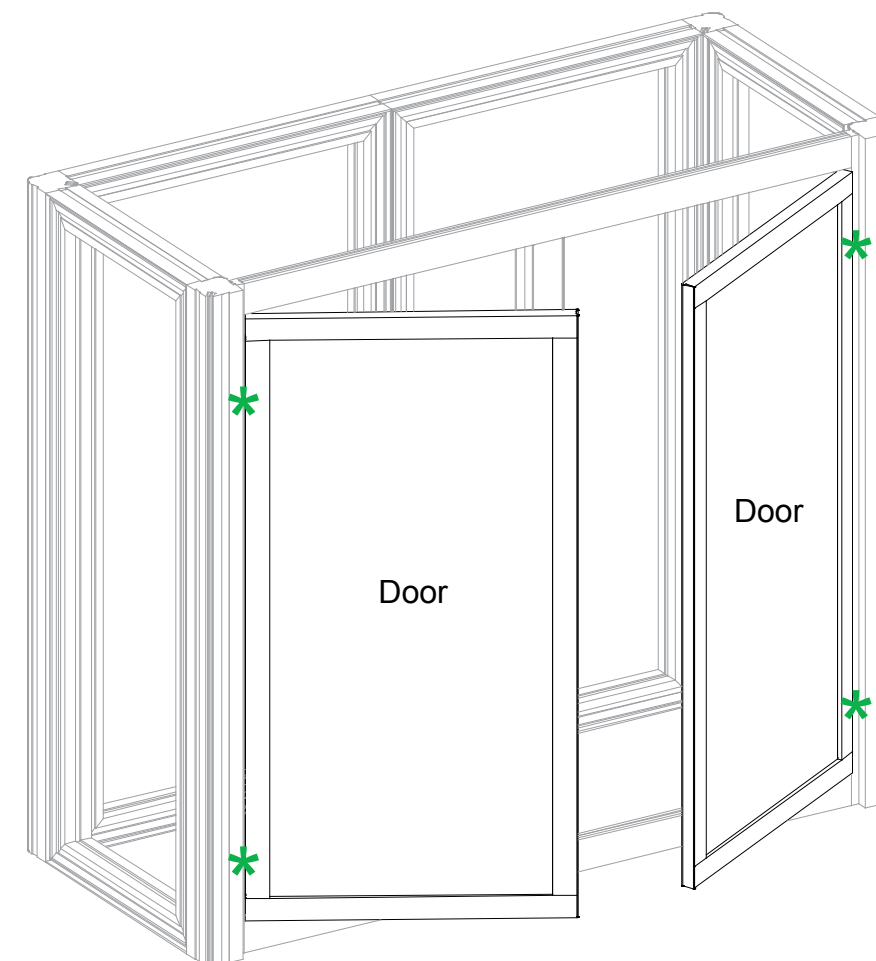
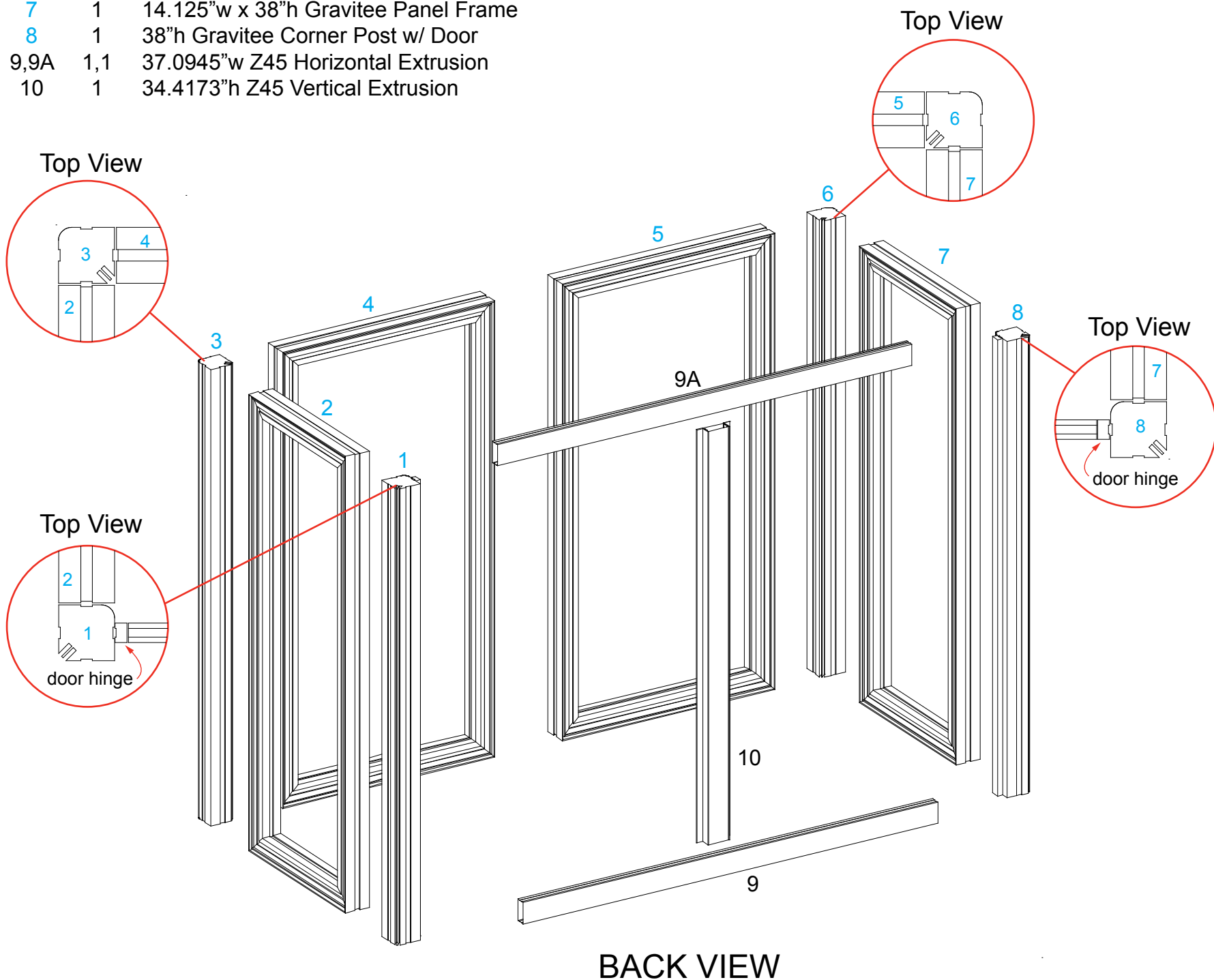
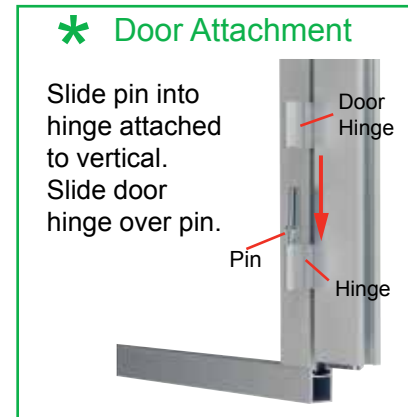
Completed Assembly

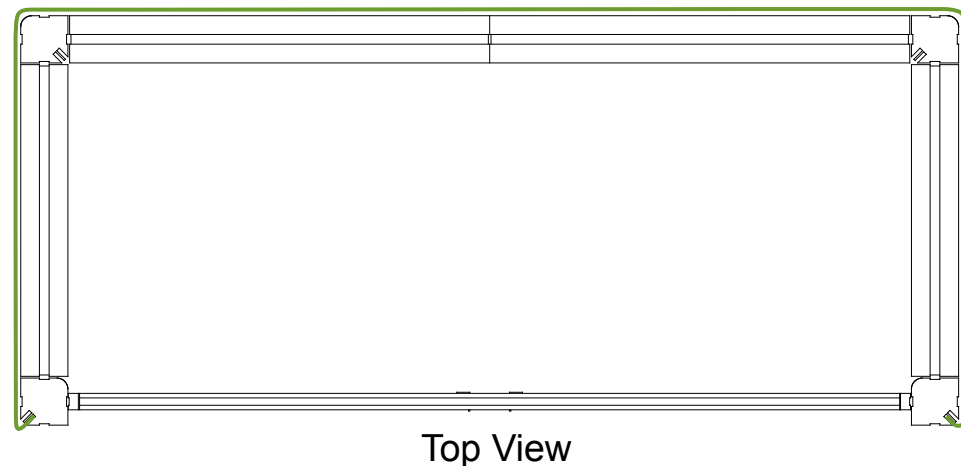


Item	Qty.	Description
1	1	38" h Gravitee Corner Post w/ Door
2	1	14.125" w x 38" h Gravitee Panel Frame
3	1	38" h Gravitee Corner Post
4	1	19" w x 38" h Gravitee Panel Frame
5	1	19" w x 38" h Gravitee Panel Frame
6	1	38" h Gravitee Corner Post
7	1	14.125" w x 38" h Gravitee Panel Frame
8	1	38" h Gravitee Corner Post w/ Door
9,9A	1,1	37.0945" w Z45 Horizontal Extrusion
10	1	34.4173" h Z45 Vertical Extrusion

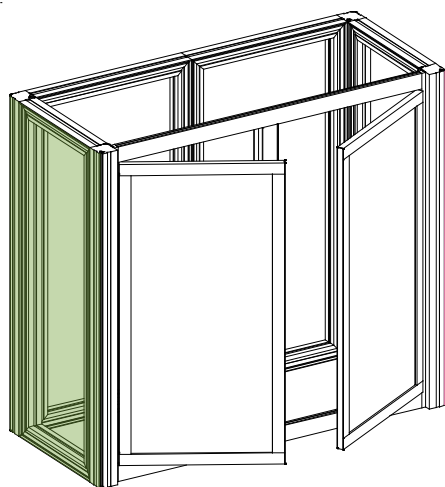
Steps:

- 1) Assemble Gravitee panels and posts in numerical order. See Gravitee Panel Assembly sheet for details.
- 2) Attach horizontal extrusions [9] and [9A] between posts [1] & [8].
- 3) Connect vertical [10] between horizontals [9] and [9A].
- 4) Install doors onto posts [1] & [8]. See **Door Attachment** detail.

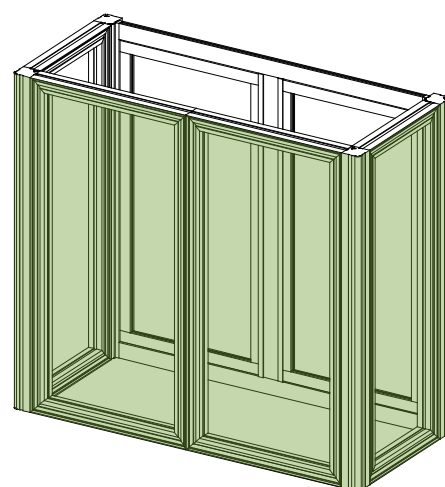




Top View



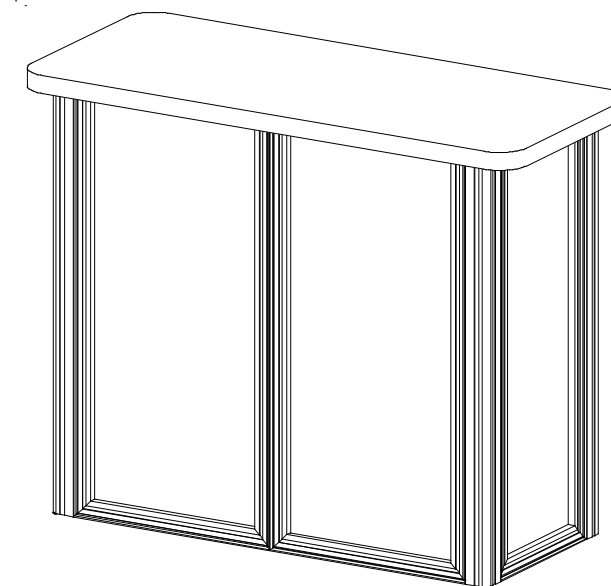
Back View



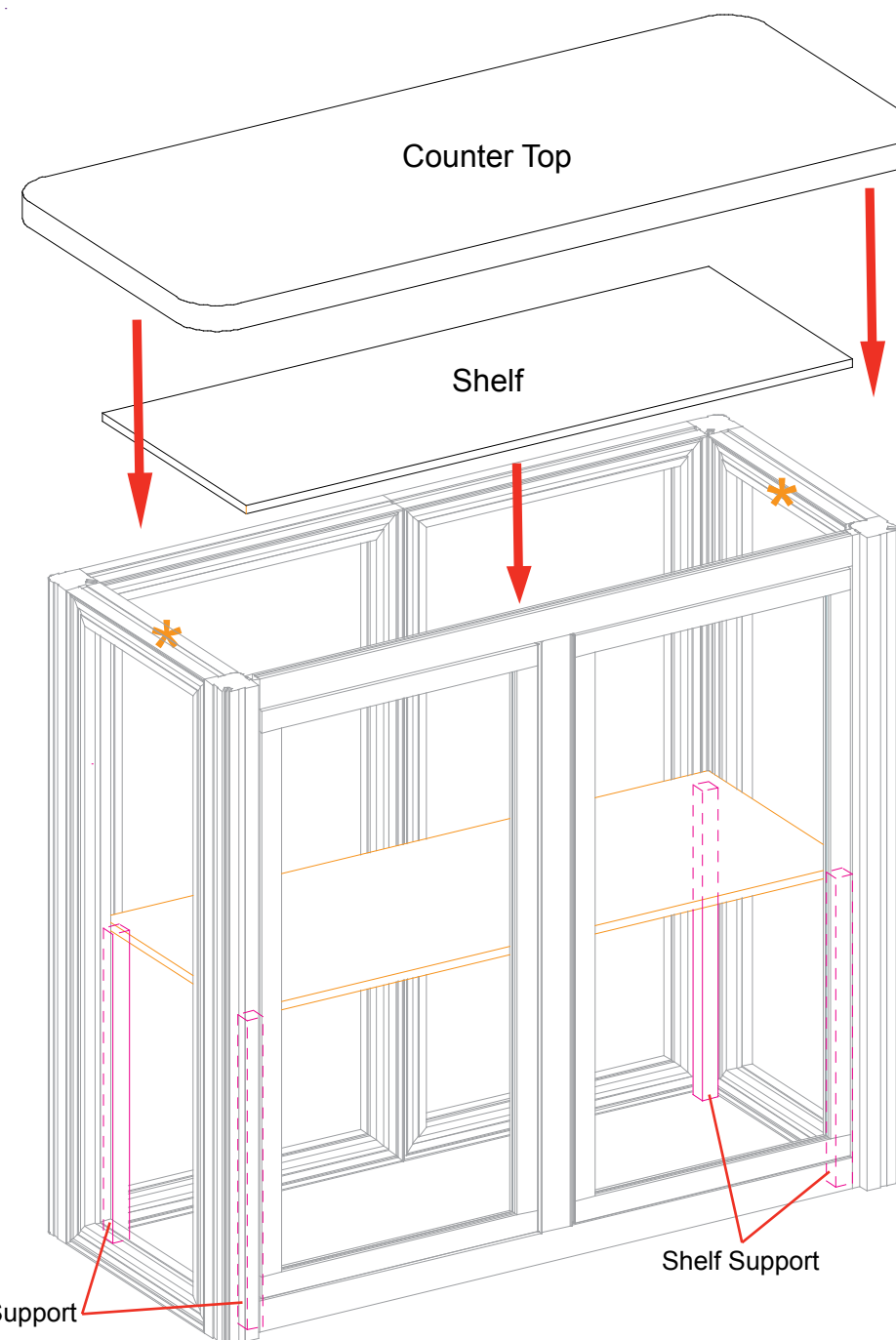
Front View

Steps:

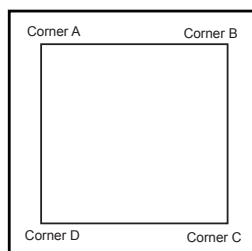
- 1) Wrap SEG graphic around front & sides of counter.  
See SEG Graphic Installation detail.
- 2) Attach shelf supports to Velcro, then place shelf on top of supports.
- 3) Place counter top on assembly. See Counter Top Attachment detail.



Completed Counter Assembly



SEG Graphic Installation



It is important to first insert graphic into each alternate corner then to the sides of the frame. If this is not done, graphic will not fit into the frame correctly.



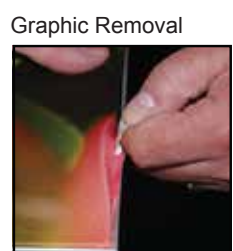
Step 1  
Insert corner A. Turn edge of graphic so silicon welt is perpendicular to face of graphic. Insert narrow side of welt with fabric to outside into the channel. Repeat for other side of this corner.



Step 2  
Repeat Step 1 for opposite corner C, then insert corner D, to complete the installation of the corners.

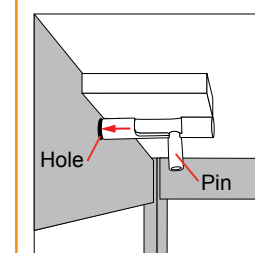


Step 3  
Once all corners are inserted, press one silicon edge into channel from corners and work toward the center. Make sure welt is fully inserted into channel. Continue until all sides are done. Smooth out edges of graphic.

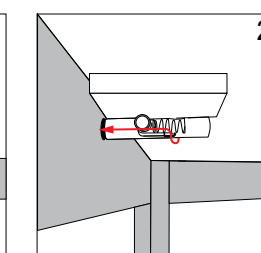


To remove the graphic from the frame, locate the fabric pull tab. Gently pull up on the tab to remove the fabric.

\* Counter Top Attachment



1  
Align hole with pin



2  
Rotate pin. Spring will push pin into hole.