

## General Setup Instructions

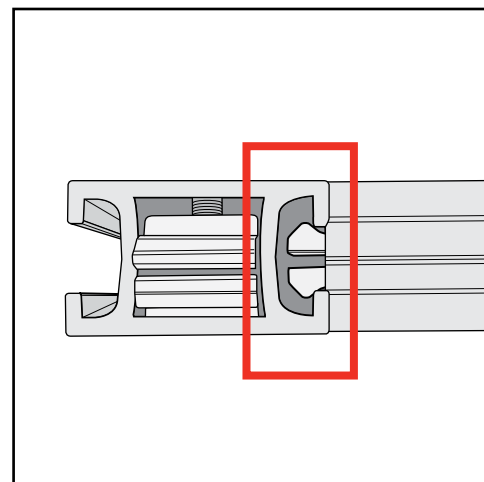
- Read entire setup instruction manual prior to unpacking parts and pieces.
- The setup instructions are created specifically for this configuration.
- Setup instructions are laid out sequentially in steps, including exploded views with detailed explanation for assembly.



Part Identification - Numbering

## Cleaning & Packing

- For Cleaning Metal, Plex, & Laminate Parts: Use a **MILD NON-ABRASIVE** cleanser and soft cloth/paper towel to clean all surfaces.
- Keep exhibit components away from heat and prolonged sun exposure.  
**Heat and UV exposure will warp and fade components.**
- Retain all provided Packing Materials. All provided packing materials are for ease of repacking & component protection.



Engaged Lock



# WARNING



DO NOT USE POWER TOOLS



ALL CONNECTIONS MUST BE TIGHTLY SECURED

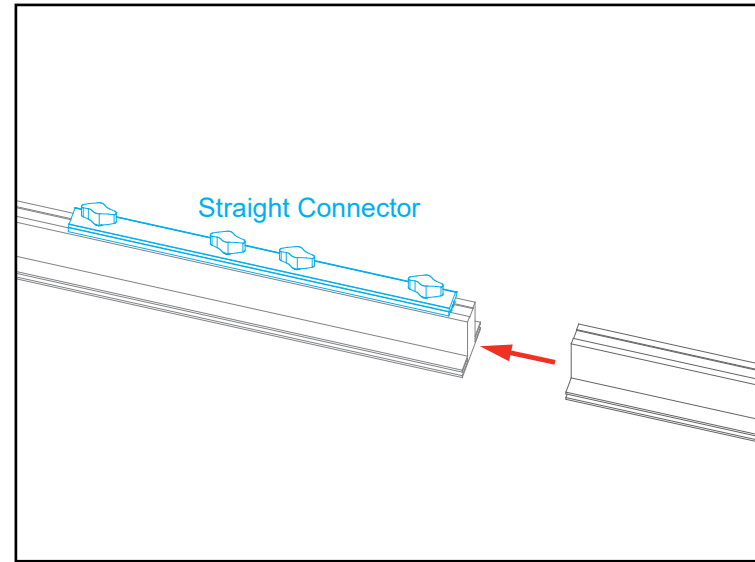
## Disassembly

- For loss prevention, keep all knobs & connectors attached to extrusions during disassembly.

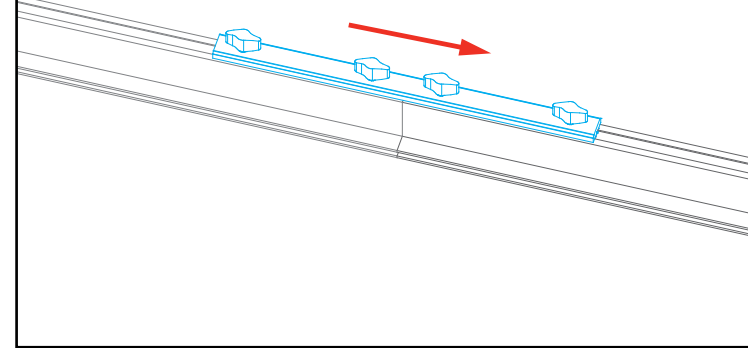
## Straight Connection

When assembling frame, first attach all **straight connectors**, then attach **corner connectors**.

- 1) Place extrusions end-to-end.
- 2) Loosen all knobs, then slide **straight connector** across the seam of extrusions.
- 3) Tighten all knobs to secure connection.



Slide connector across seam of extrusions.  
Tighten all knobs.



## Disassembly

- 1) Loosen all knobs.
- 2) Slide connectors off of one extrusion.
- 3) Tighten knobs to prevent loss during packing & shipping.

Keep straight connectors in groove of extrusion. Do not remove connectors during disassembly.

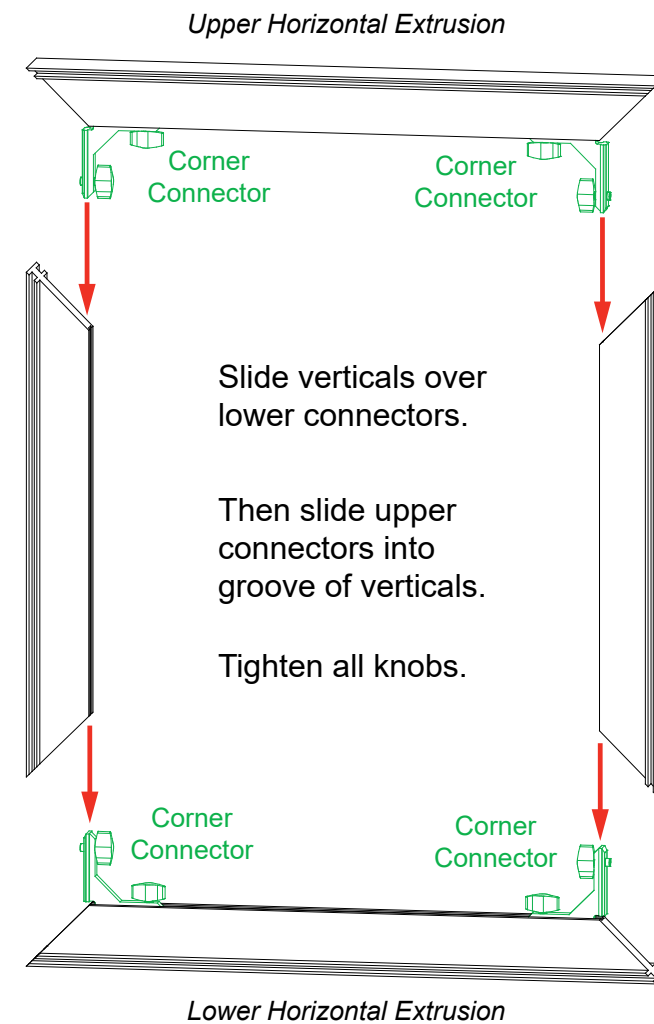
All knobs must be tightened securely to ensure a proper connection.

## Corner Connection

- 1) Loosen knobs, then slide vertical extrusions onto **corner connectors** of **lower** horizontal extrusion.
- 2) Slide **corner connectors** of **upper** horizontal extrusion into grooves of vertical extrusions.
- 3) Tighten all knobs to secure connection.

## Disassembly

- 1) Loosen knobs on vertical extrusions.
- 2) Slide the vertical extrusions off of **corner connectors** on lower and upper horizontal extrusions.



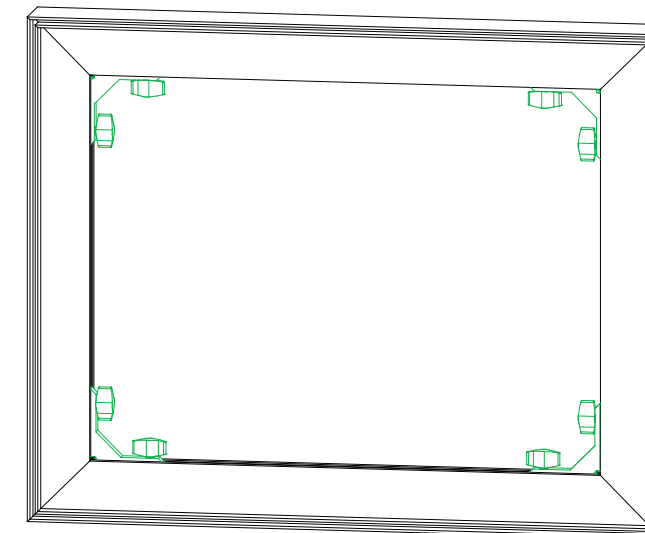
Slide verticals over lower connectors.

Then slide upper connectors into groove of verticals.

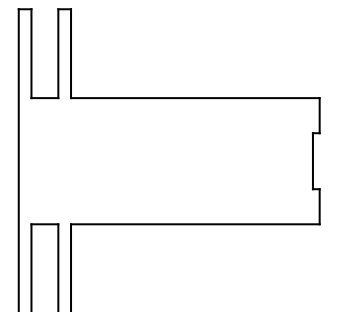
Tighten all knobs.



Adjust connectors if necessary to prevent gaps in connection.



COMPLETED ASSEMBLY



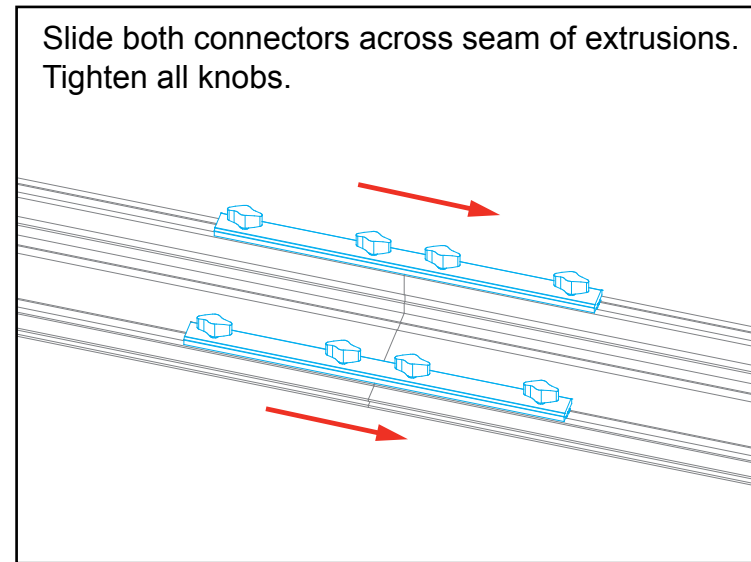
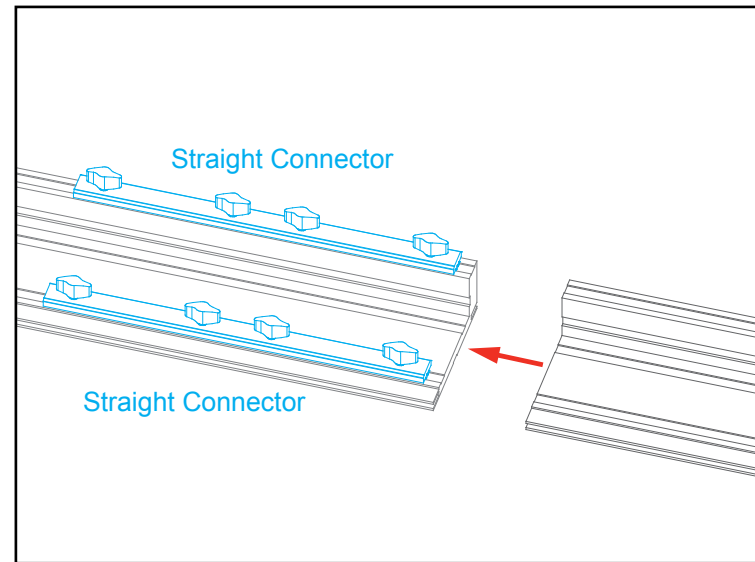
TSP49 Profile

All knobs must be tightened securely to ensure a proper connection.

## Straight Connection

When assembling frame, first attach all **straight connectors**, then attach **corner connectors**.

- 1) Place extrusions end-to-end.
- 2) Loosen all knobs, then slide **straight connectors** across the seam of extrusions.
- 3) Tighten all knobs to secure connection.



All knobs must be tightened securely to ensure a proper connection.

## Disassembly

- 1) Loosen all knobs.
- 2) Slide connectors off of one extrusion.
- 3) Tighten knobs to prevent loss during packing & shipping.

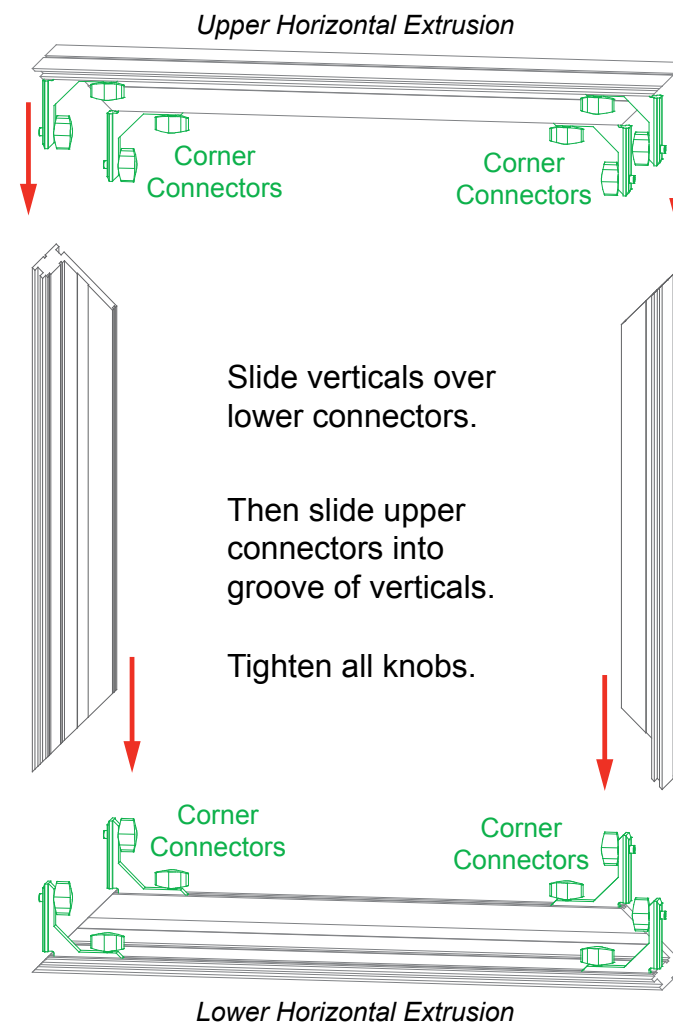
Keep straight connectors in groove of extrusion. Do not remove connectors during disassembly.

## Corner Connection

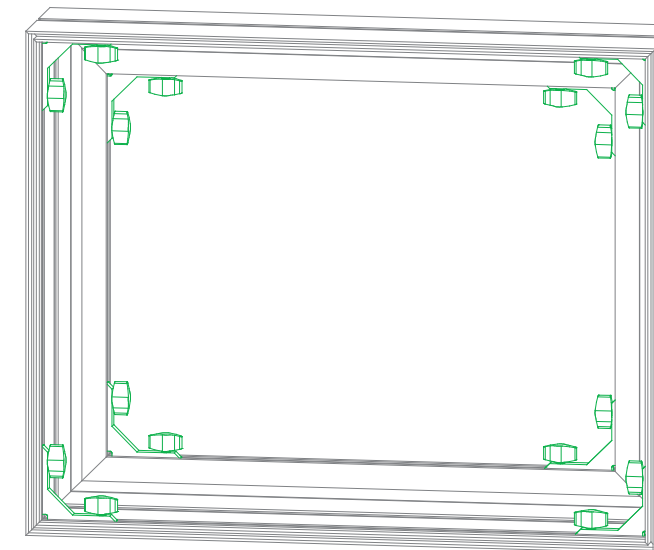
- 1) Loosen knobs, then slide vertical extrusions onto **corner connectors** of **lower** horizontal extrusion.
- 2) Slide **corner connectors** of **upper** horizontal extrusion into grooves of vertical extrusions.
- 3) Tighten all knobs to secure connection.

## Disassembly

- 1) Loosen knobs on vertical extrusions.
- 2) Slide the vertical extrusions off of **corner connectors** on lower and upper horizontal extrusions.

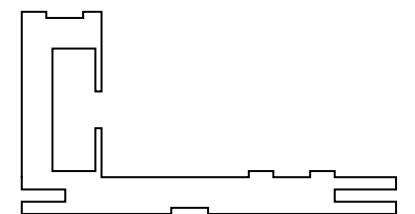


Adjust connectors if necessary to prevent gaps in connection.



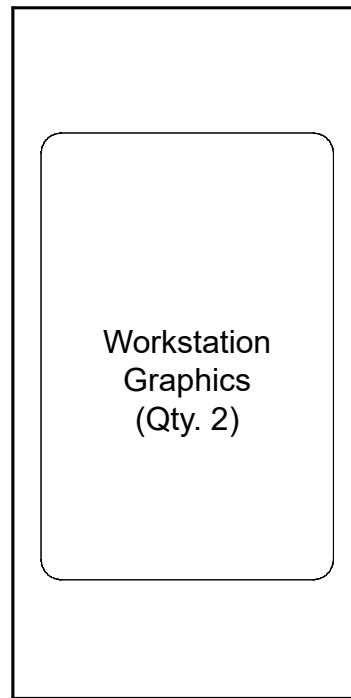
COMPLETED ASSEMBLY

All knobs must be tightened securely to ensure a proper connection.

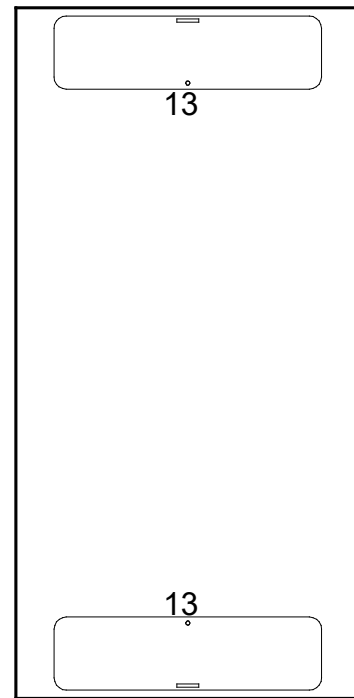


CEI110 Profile

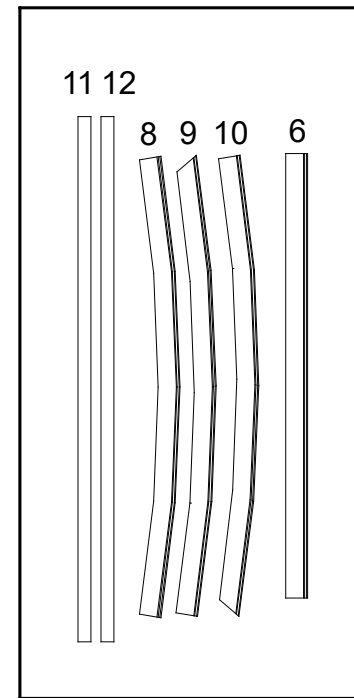
### Top View of Each Level



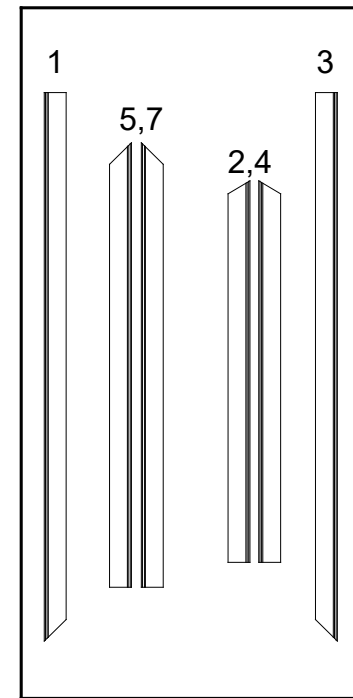
Level 1  
(Bottom level)



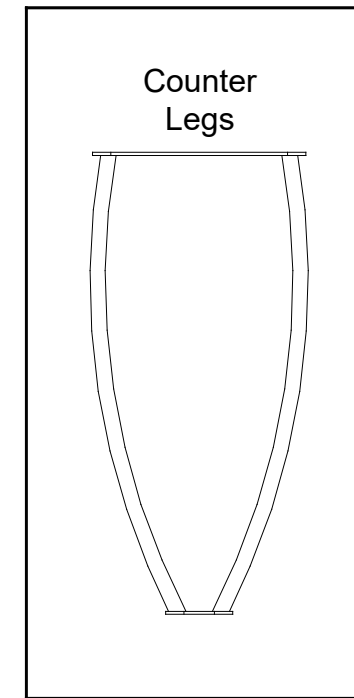
Level 2



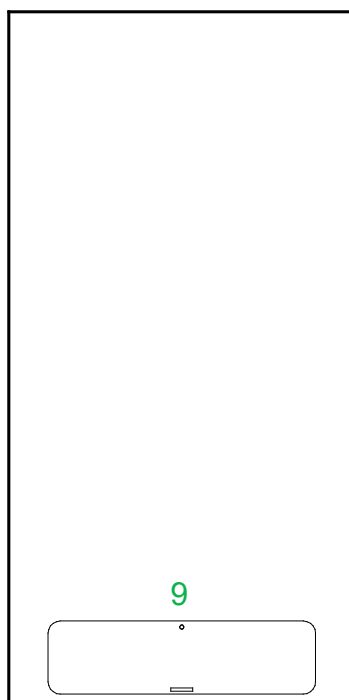
Level 3



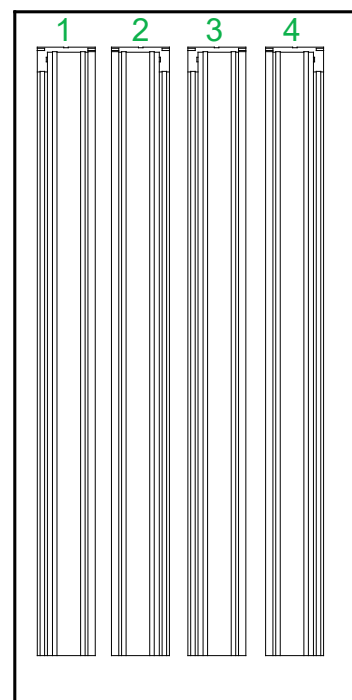
Level 4



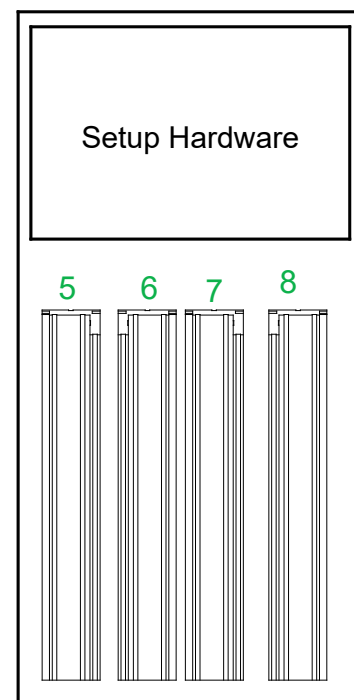
### Top View of Each Level



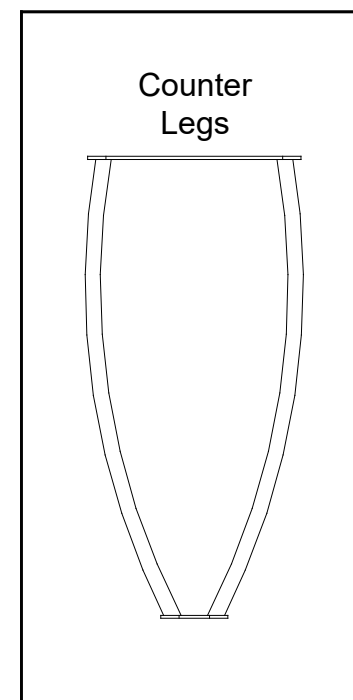
Level 1  
(Bottom level)



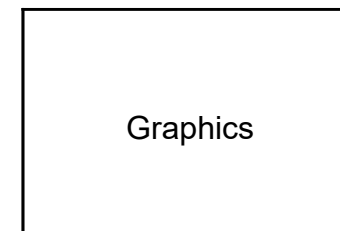
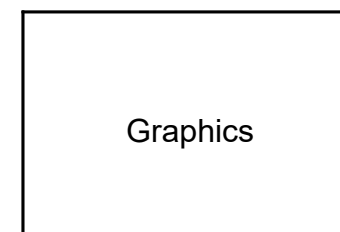
Level 2



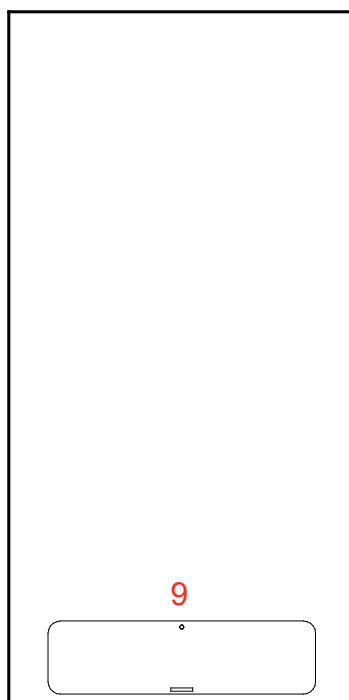
Level 3



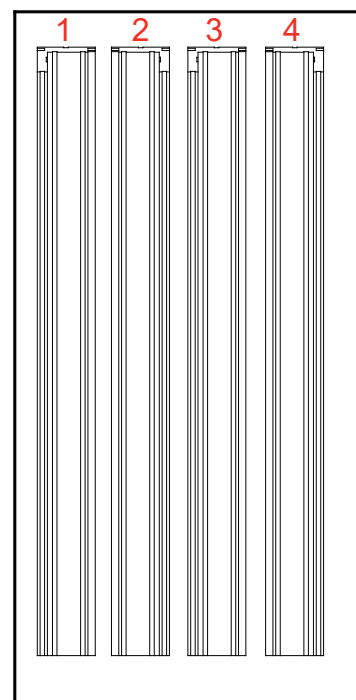
Level 4



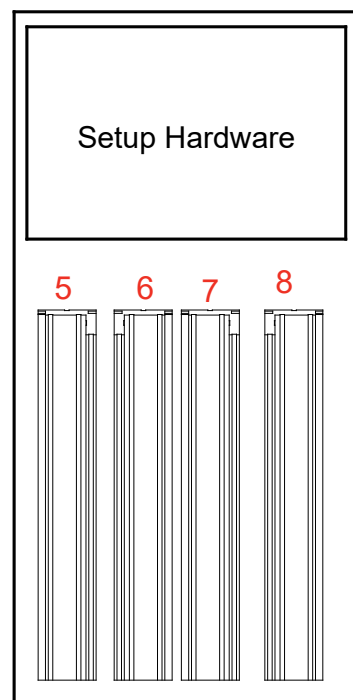
### Top View of Each Level



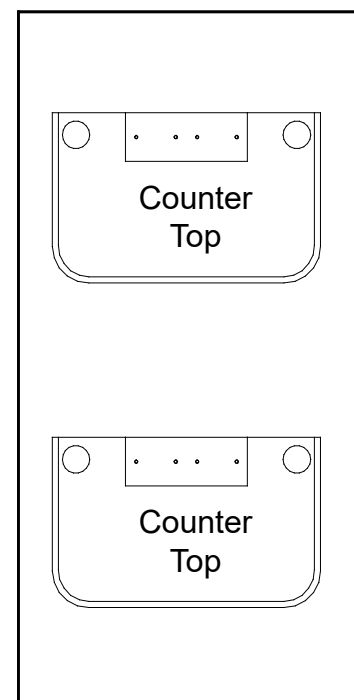
Level 1  
(Bottom level)



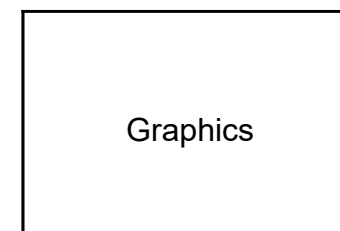
Level 2



Level 3

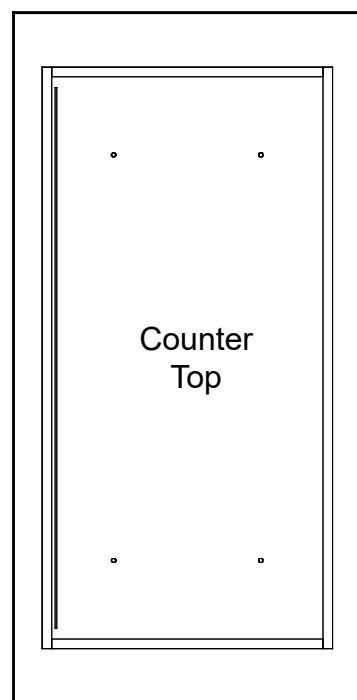


Level 4

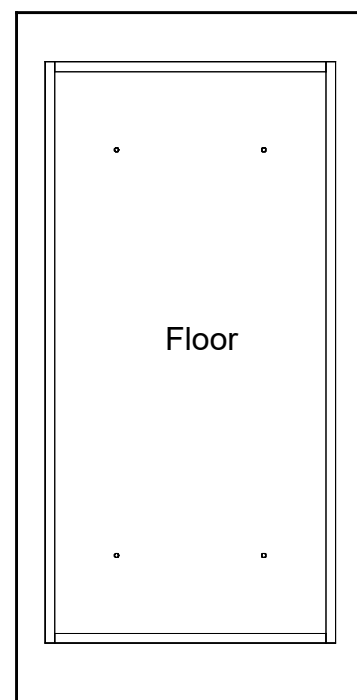




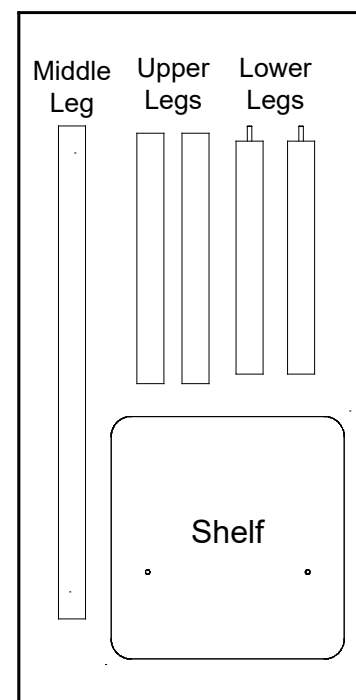
### Top View of Each Level



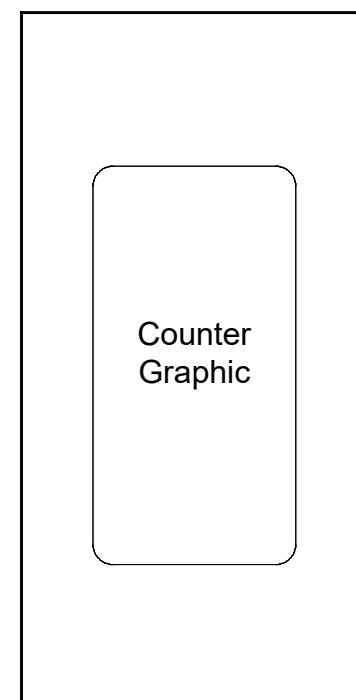
Level 1  
(Bottom level)



Level 2



Level 3



Level 4



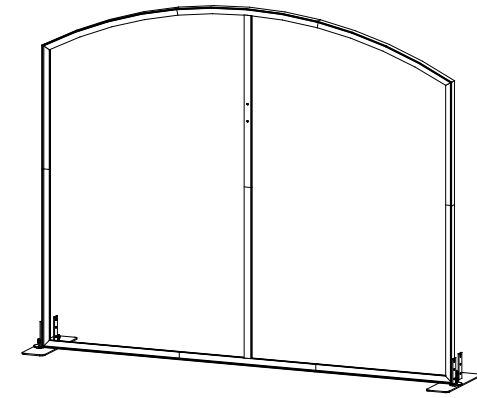
Setup Hardware

Item	Qty.	Description
1	1	45"h TSP49 Vertical Extrusion
2	1	31.305"h TSP49 Vertical Extrusion
3	1	45"h TSP49 Vertical Extrusion
4	1	31.305"h TSP49 Vertical Extrusion
5	1	36.467"w TSP49 Horizontal Extrusion
6	1	36.467"w TSP49 Horizontal Extrusion
7	1	36.467"w TSP49 Horizontal Extrusion
8	1	38.019"w TSP49 curved Horizontal Extrusion
9	1	38.019"w TSP49 curved Horizontal Extrusion
10	1	38.019"w TSP49 curved Horizontal Extrusion
11	1	45.209"h Z45 Vertical Extrusion
12	1	41.209"h Z45 Vertical Extrusion
13	1	6" x 22" Base Plate w/ flange (left)
14	1	6" x 22" Base Plate w/ flange (right)

Steps:

Refer to the [Tool-less Frame Assembly general information page](#).

- 1) Assemble vertical extrusions [1-2], [3-4], [11-12] & horizontals [5-6-7], [8-9-10] together, using [Tool-less Spline connectors](#) labeled [X] & [Y].
- 2) Connect vertical assemblies [1/2], [3/4] between horizontal assemblies [5/6/7], [8/9/10], using [Tool-less Corner Connectors](#) labeled [A] & [B].
- 3) Install Base Plates [13] & [14] to bottom corners of frame assembly as shown. See [Base Plate Attachment](#) detail.
- 4) Lift frame to upright position, then connect vertical assembly [11/12] between horizontal assemblies [5/6/7], [8/9/10] using [Connection Lock w/ Knob](#).



When assembled

Assemble frame flat on ground.

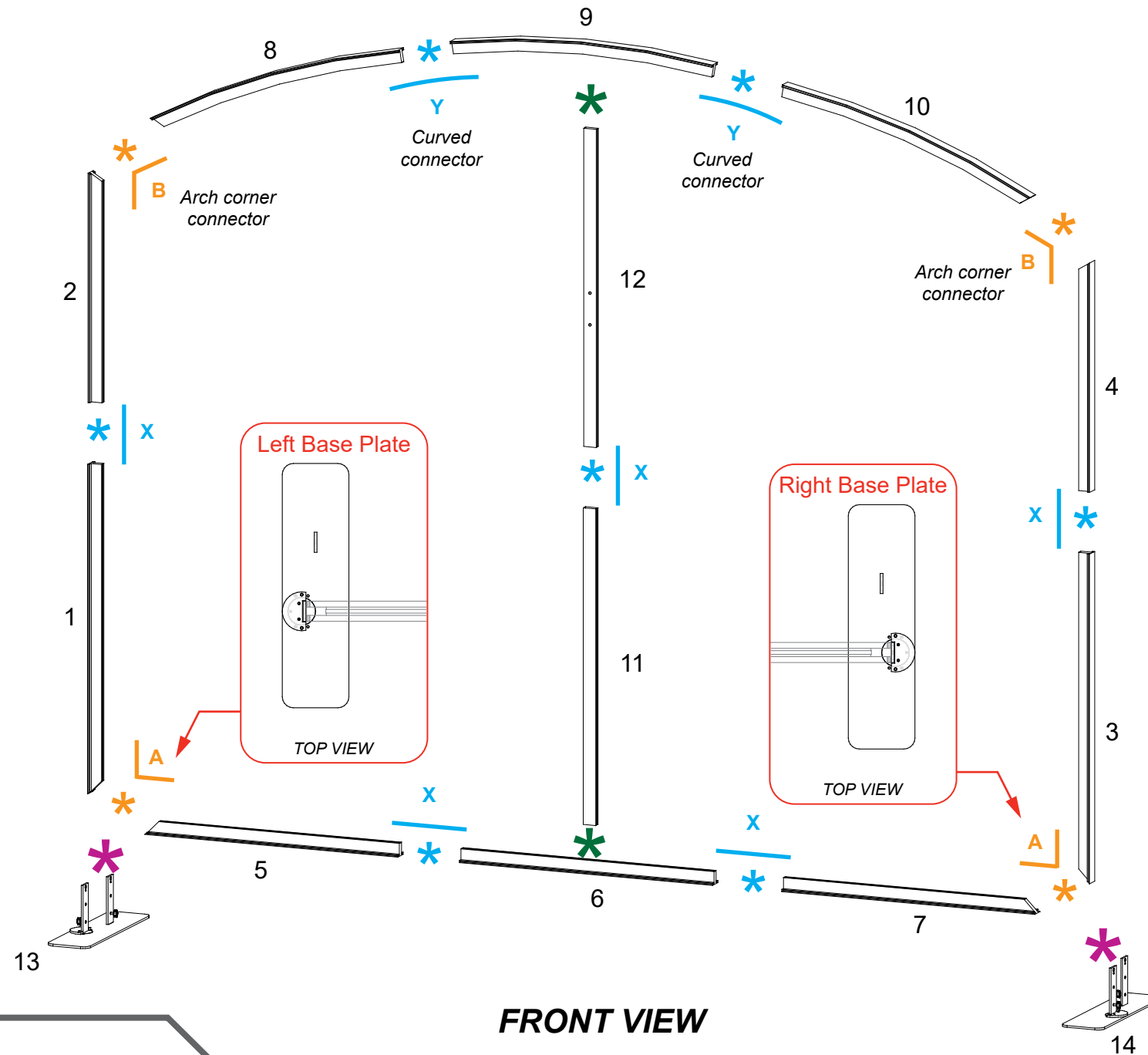
**\* Tool-less Spline Connector**

1. Place extrusions end-to-end.
2. Slide tool-less connectors across seam of extrusions.
3. Tighten all knobs to secure connection.

**\* Tool-less Corner Connector**

1. Slide extrusion onto Corner Connector.
2. Tighten all knobs to secure connection.

Keep corner connectors attached to horizontal extrusions.



**\* Connection Lock w/ Knob**

Knobs face **back** of assembly.

BACK VIEW

**\* Base Plate Attachment**

- 1) Place key hole over bolt on panel & slide down.
- 2) Twist knob to secure connection.

Front

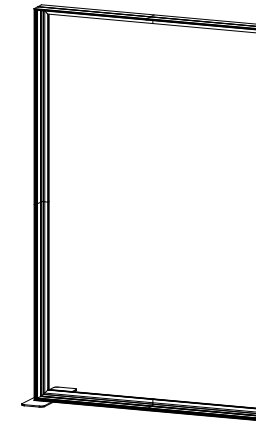
Base Plate

Item	Qty.	Description
1	1	45"h CEI110 Vertical Extrusion
2	1	45"h CEI110 Vertical Extrusion
3	1	45"h CEI110 Vertical Extrusion
4	1	45"h CEI110 Vertical Extrusion
5	1	27.35"w CEI110 Horizontal Extrusion
6	1	27.35"w CEI110 Horizontal Extrusion
7	1	27.35"w CEI110 Horizontal Extrusion
8	1	27.35"w CEI110 Horizontal Extrusion
9	1	6" x 22" End Base Plate w/ foot

Steps:

Refer to the *Tool-less Lightbox Frame Assembly* general information page.

- 1) Assemble vertical extrusions [1-2], [3-4] & horizontal extrusions [5-6], [7-8] together, using **Tool-less Spline connectors** labeled [X].
- 2) Connect vertical assemblies [1/2], [3/4] between horizontal assemblies [5/6], [7/8], using **Tool-less Corner Connectors** labeled [A].
- 3) Install Base Plate [9] to bottom corner of frame assembly as shown. See **Base Plate Attachment** detail.
- 4) Connect power cords to Supernova lights, as shown.



When assembled

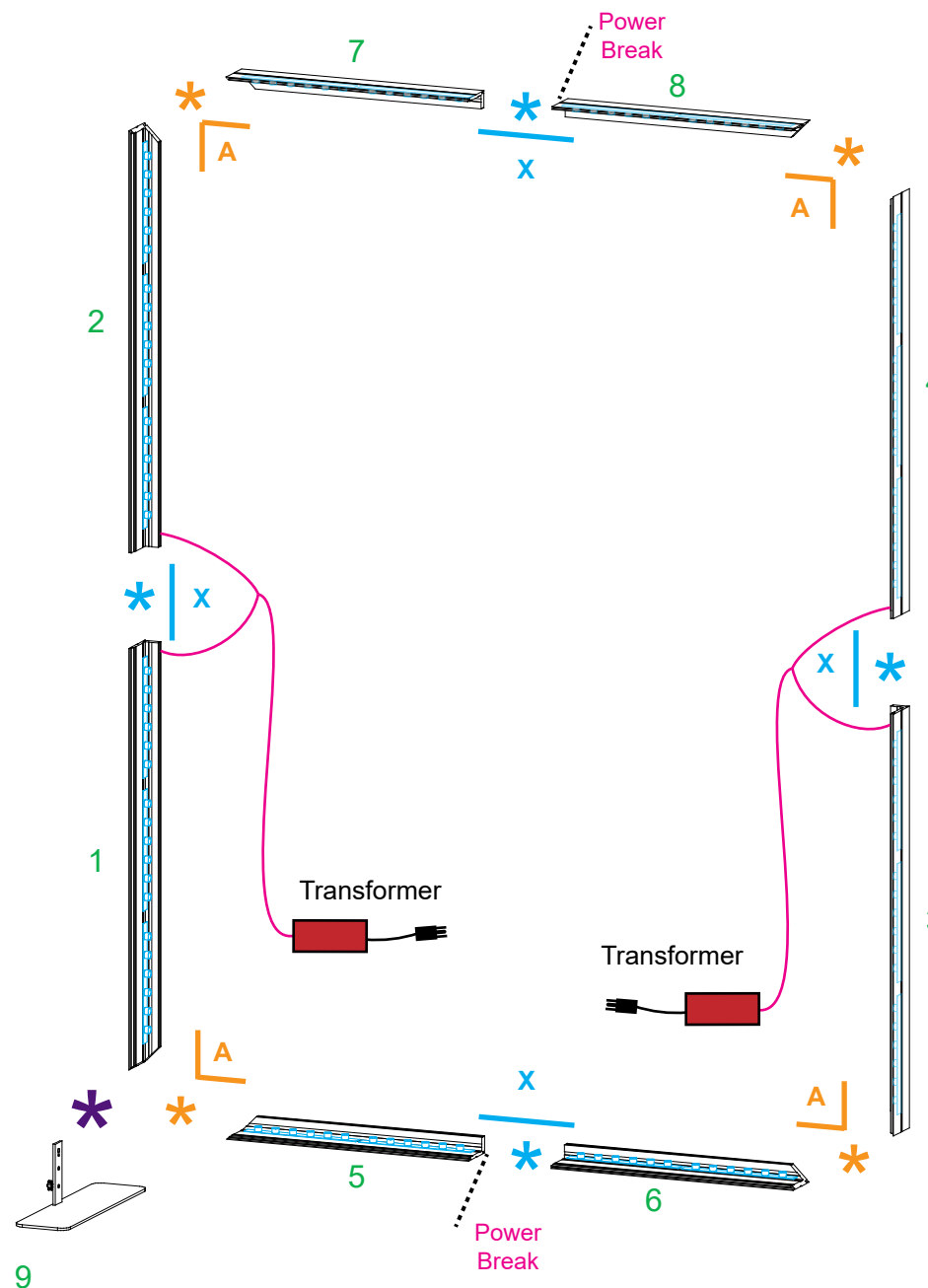
Assemble frame flat on ground.

**\* CEI-110 Straight Connection**

1. Place extrusions end-to-end.
2. Slide connectors across seam of extrusions.
3. Tighten all knobs to secure connection.

**\* CEI-110 Corner Connection**

1. Slide extrusion onto corner connectors.
2. Tighten all knobs to secure connection.



FRONT VIEW

**\* Base Plate Attachment**

- 1) Place key hole over bolt on panel & slide down.
- 2) Twist knob to secure connection.

**Light to Light Attachment**

**Light to Transformer Attachment**

Transformer  
144W / 6 Amp / 24V

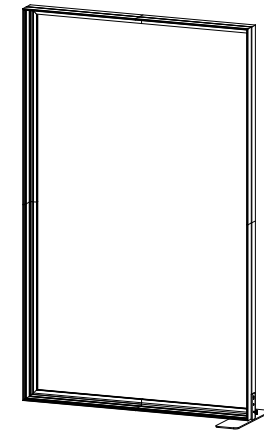
Maximum of 7 lights per chain / 11 lights per Transformer

Item	Qty.	Description
1	1	45"h CEI110 Vertical Extrusion
2	1	45"h CEI110 Vertical Extrusion
3	1	45"h CEI110 Vertical Extrusion
4	1	45"h CEI110 Vertical Extrusion
5	1	27.35"w CEI110 Horizontal Extrusion
6	1	27.35"w CEI110 Horizontal Extrusion
7	1	27.35"w CEI110 Horizontal Extrusion
8	1	27.35"w CEI110 Horizontal Extrusion
9	1	6" x 22" End Base Plate w/ foot

Steps:

Refer to the *Tool-less Lightbox Frame Assembly* general information page.

- 1) Assemble vertical extrusions [1-2], [3-4] & horizontal extrusions [5-6], [7-8] together, using **Tool-less Spline connectors** labeled [X].
- 2) Connect vertical assemblies [1/2], [3/4] between horizontal assemblies [5/6], [7/8], using **Tool-less Corner Connectors** labeled [A].
- 3) Install Base Plate [9] to bottom corner of frame assembly as shown. See **Base Plate Attachment** detail.
- 4) Connect power cords to Supernova lights, as shown.



When assembled

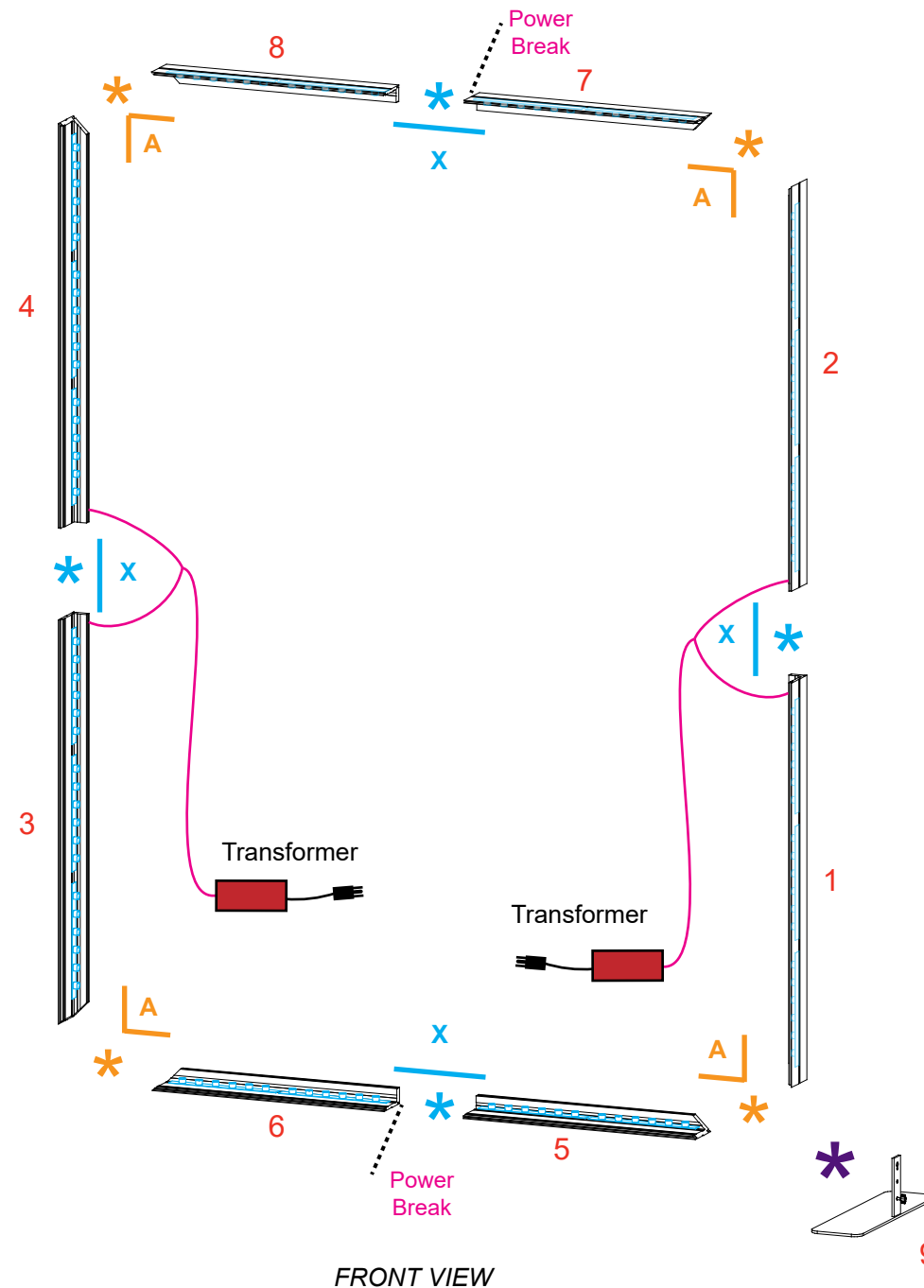
Assemble frame flat on ground.

**\* CEI-110 Straight Connection**

1. Place extrusions end-to-end.
2. Slide connectors across seam of extrusions.
3. Tighten all knobs to secure connection.

**\* CEI-110 Corner Connection**

1. Slide extrusion onto corner connectors.
2. Tighten all knobs to secure connection.



**\* Base Plate Attachment**

- 1) Place key hole over bolt on panel & slide down.
- 2) Twist knob to secure connection.

The diagram shows a base plate being attached to the bottom corner of the frame. A bolt is visible on the frame, and a key hole on the base plate is being aligned over it. A knob is used to secure the connection.

**Light to Light Attachment**

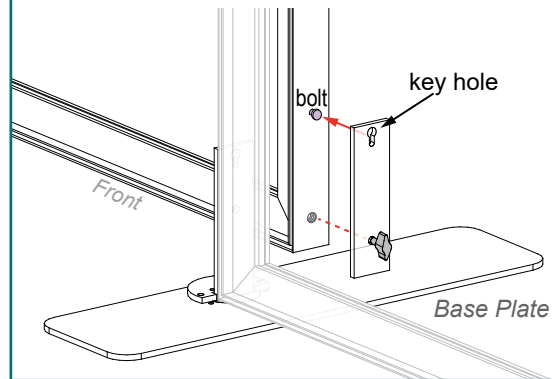
Maximum of 7 lights per chain / 11 lights per Transformer

**Light to Transformer Attachment**

Transformer 144W / 6 Amp / 24V

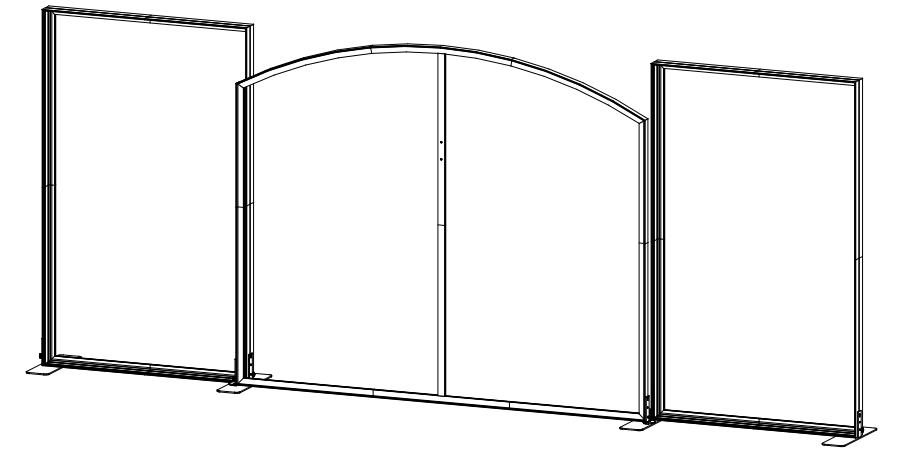
**\* Base Plate Attachment**

Place key hole over bolt on panel & slide down. Twist knob to secure connection.

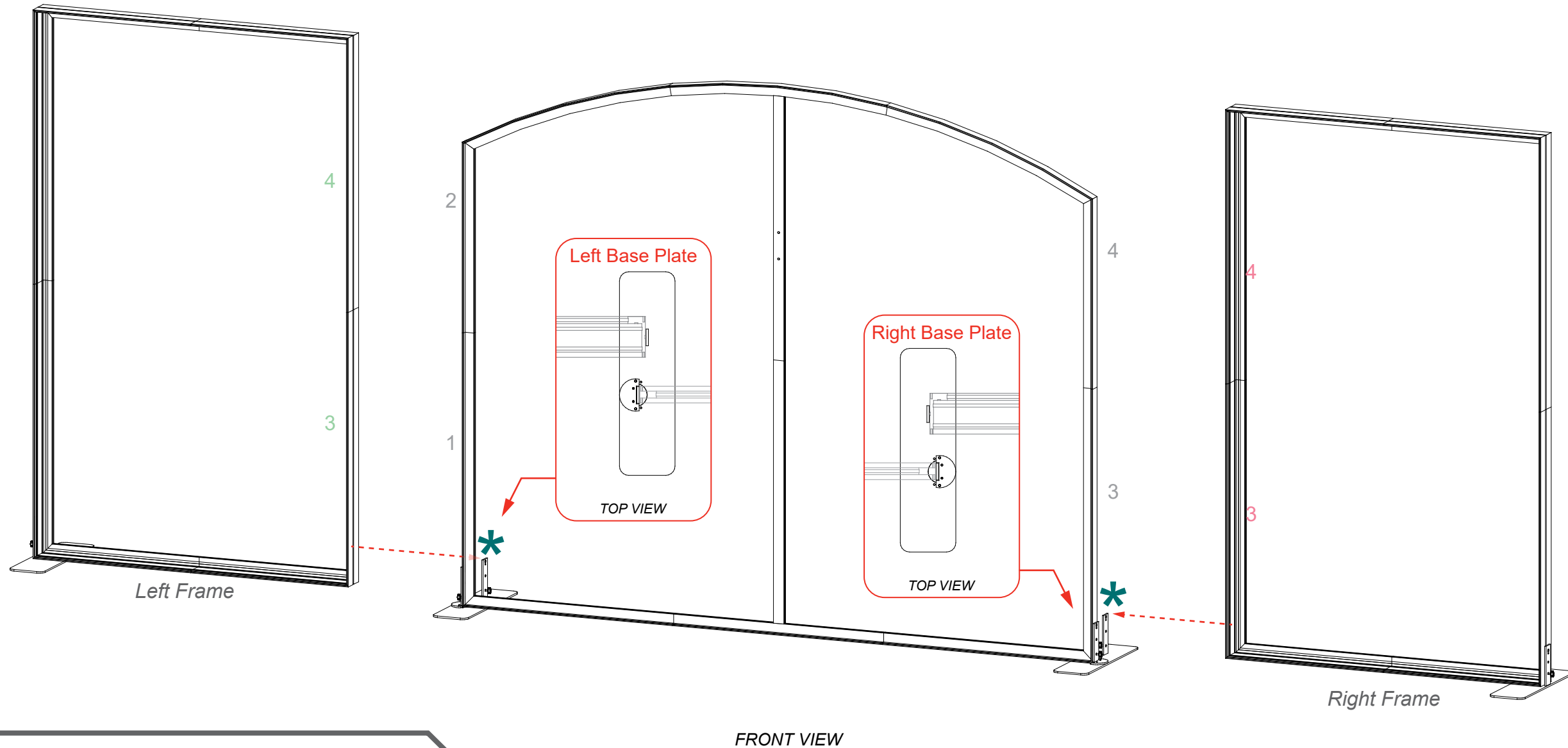


Steps:

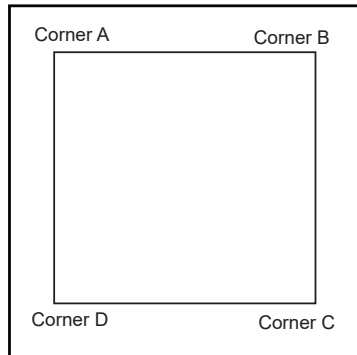
- 1) Connect vertical of Left Frame Assembly to Base Plate of Middle Frame Assembly. See [Base Plate Attachment](#) detail.
- 2) Attach vertical of Right Frame Assembly to Base Plate of Middle Frame Assembly. See [Base Plate Connection](#) detail.



When assembled



## SEG Graphic Installation



It is important to first insert graphic into each alternate corner, then to the sides of the frame. If this is not done, graphic will not fit into the frame correctly.

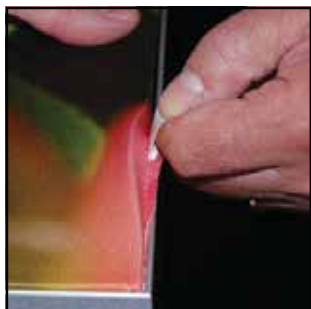
**Step 1**  
Insert corner A. Turn edge of graphic so silicon welt is perpendicular to face of graphic. Insert narrow side of welt with fabric to outside into the channel. Repeat for other side of this corner.



**Step 2**  
Repeat Step 1 for opposite corner C, then insert corner B, followed by corner D, to complete the installation of the corners.



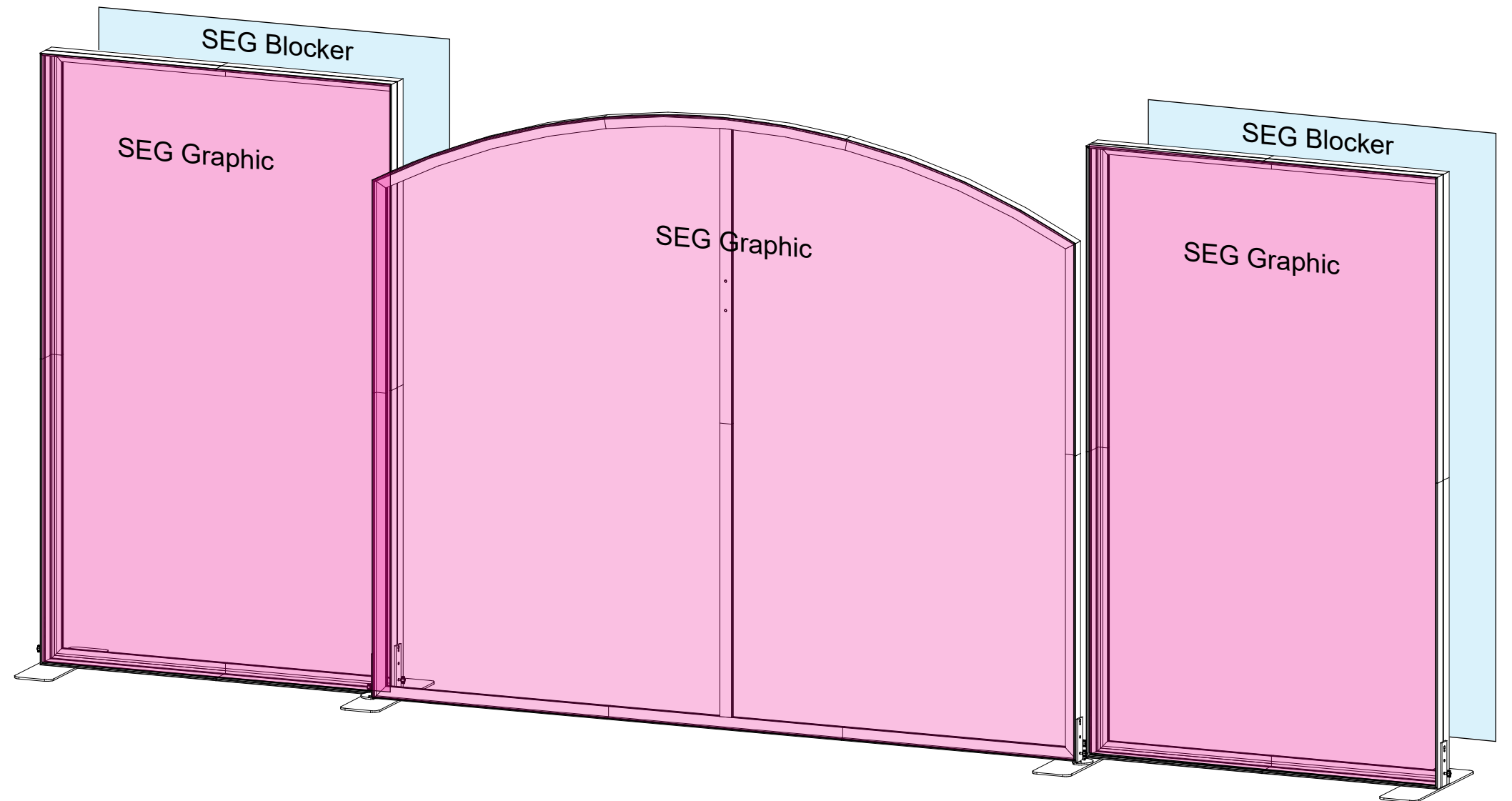
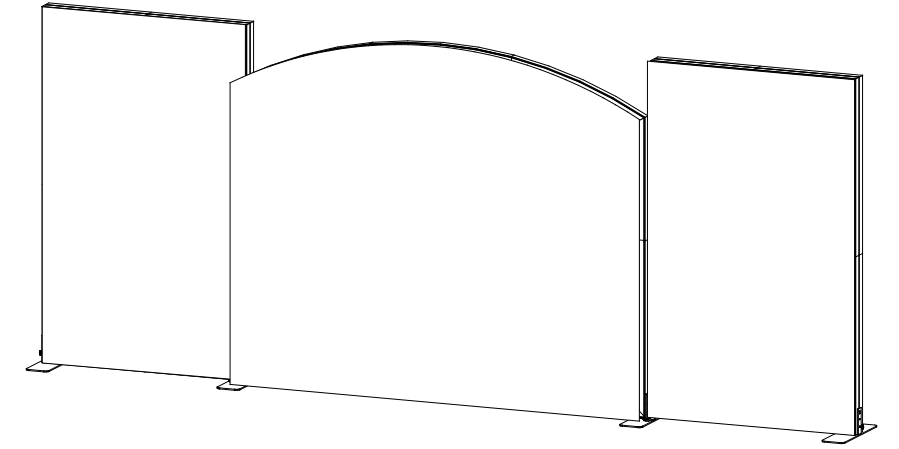
**Step 3**  
Once all corners are inserted, press one silicon edge into channel from corners and work toward the center. Make sure welt is fully inserted into channel. Continue until all sides are done. Smooth out edges of graphic.



### Graphic Removal

To remove the graphic from the frame, locate the fabric pull tab. Gently pull up on the tab to remove the fabric.

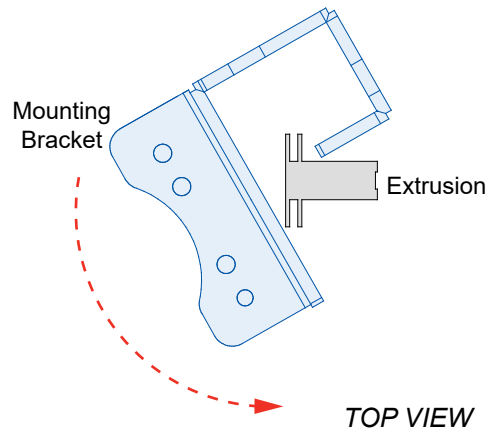
- Steps:
- 1) Apply SEG Graphics to assembled frames.
  - 2) Apply SEG Blockers to back of left & right lightboxes.



FRONT VIEW

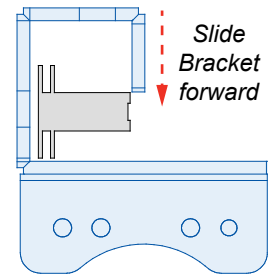
**\* Workstation Bracket Attachment**

① Hook the Mounting Bracket over the vertical extrusion.

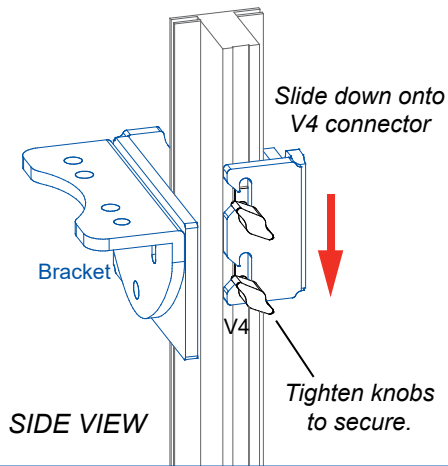


② Slide bracket forward, then down onto V4 connector.

*V4 connectors stay permanently attached to vertical extrusion.*

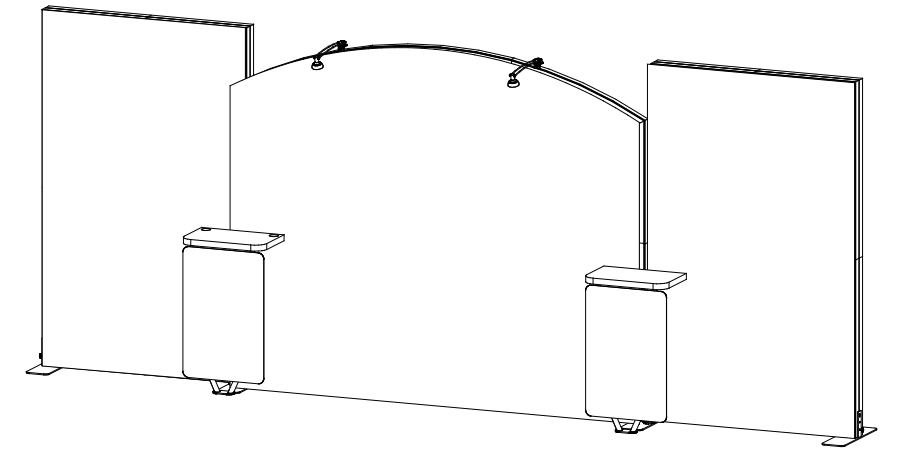


③ Tighten thumb screws to secure connection to inside of frame.



Steps:

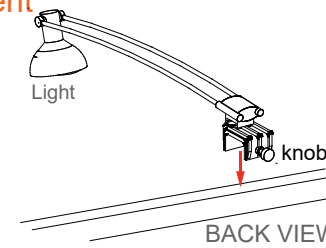
- 1) Attach Workstation Mounting Bracket to backwall vertical as shown. See [Workstation Bracket Attachment](#) detail.
- 2) Assemble Workstation legs & counter top to bracket. See [Workstation Assembly](#) detail.
- 3) Affix **Graphics** to front of workstation assemblies, using Velcro.
- 4) Attach Lights to top of backwall as shown. See [Light Attachment](#) detail.



**\* Light Attachment**

Attach clamp of stem light to top of horizontal extrusion where desired.

Twist knob on back to tighten in place.



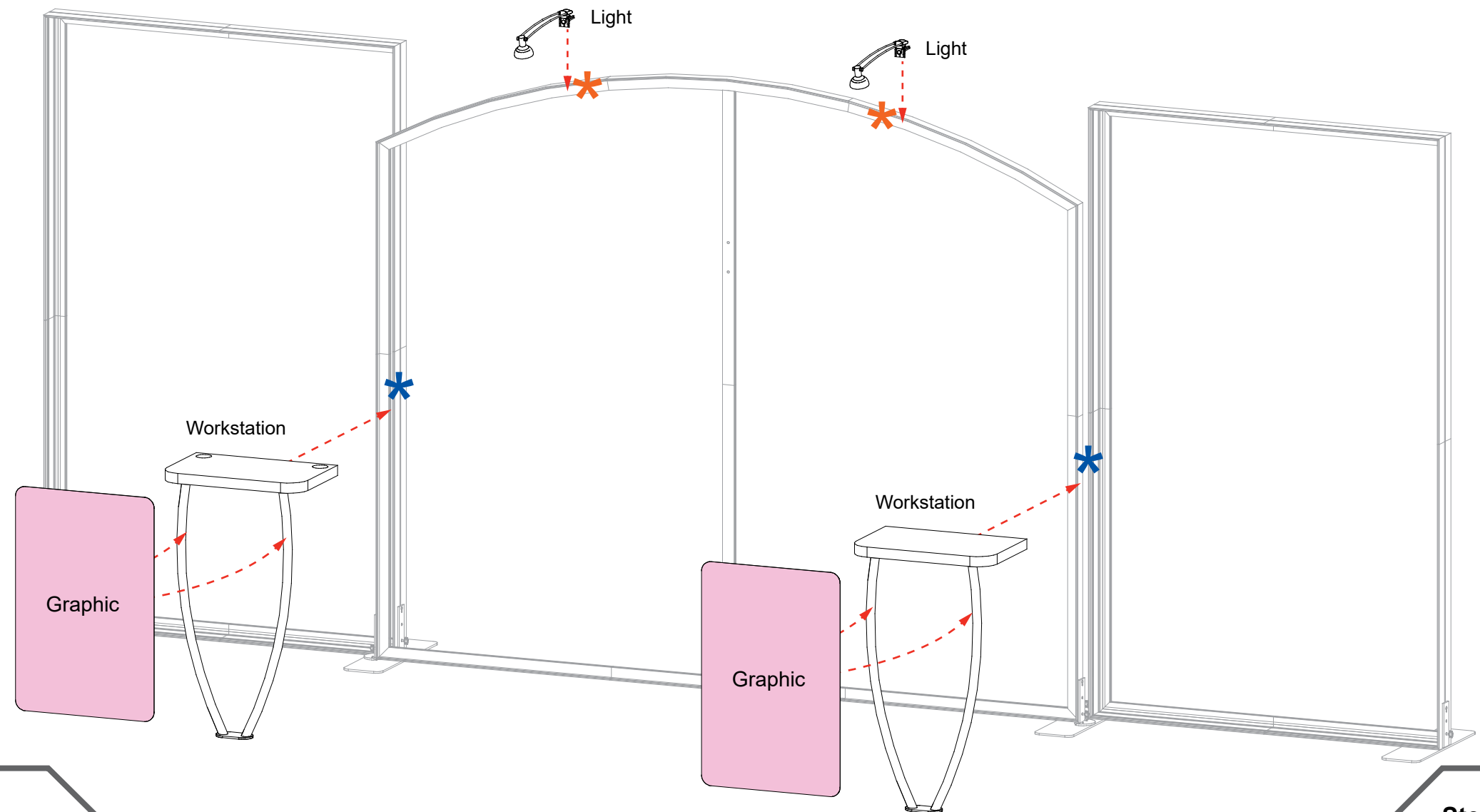
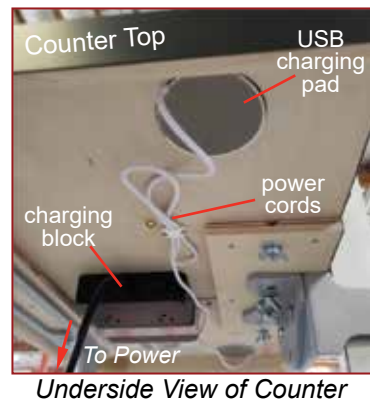
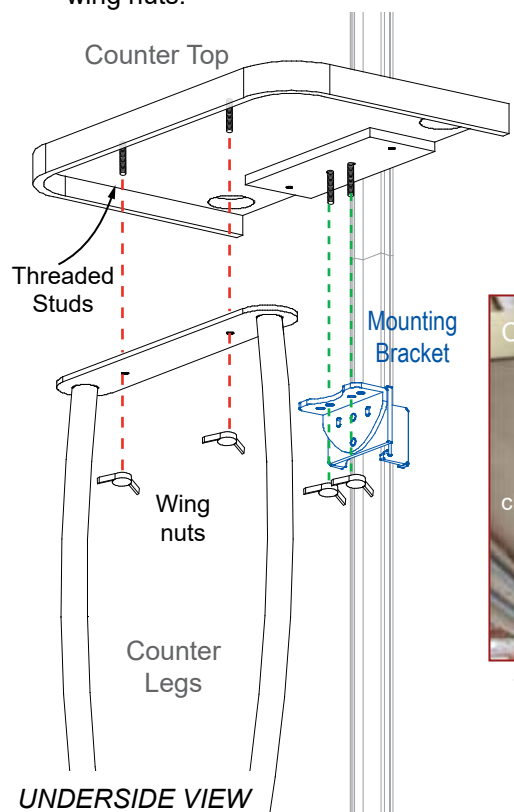
**Workstation Assembly**

1) Attach threaded studs on underside of Counter Top to Counter Legs; secure with wing nuts.

2) Connect Counter Top to Mounting Bracket, using wing nuts.

3) Attach power cords to wireless chargers.

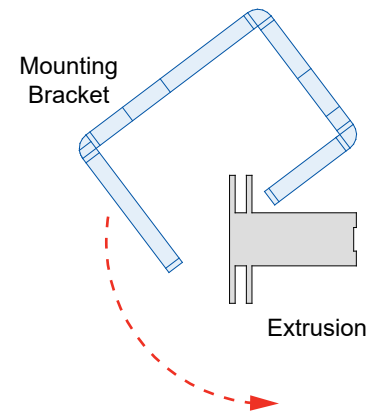
*Keep cords attached to underside of counter top.*



Steps:  
1) Attach Monitor Mounts to backwall verticals as shown.  
See [Monitor Mount Bracket Attachment](#) detail.

\* Monitor Mount Attachment

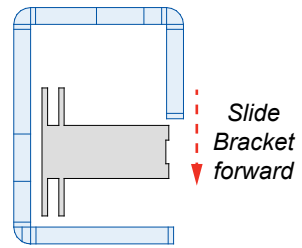
① Hook the Mounting Bracket over the vertical extrusion.



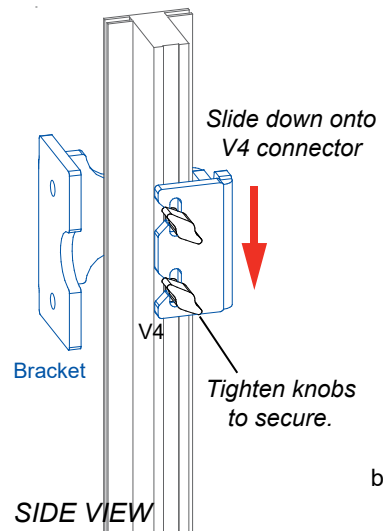
TOP VIEW

② Slide bracket forward, then down onto V4 connector.

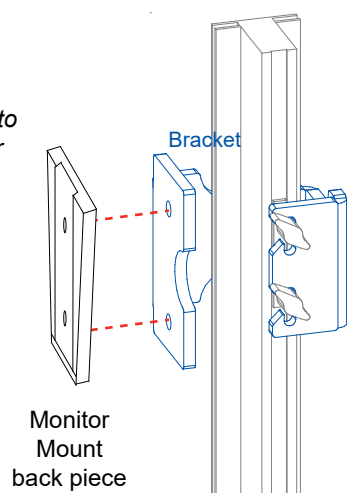
*V4 connectors stay permanently attached to vertical extrusion.*



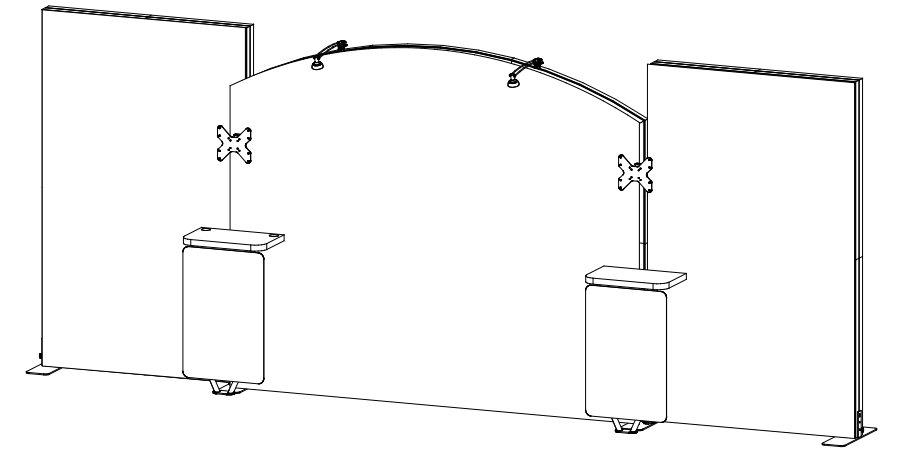
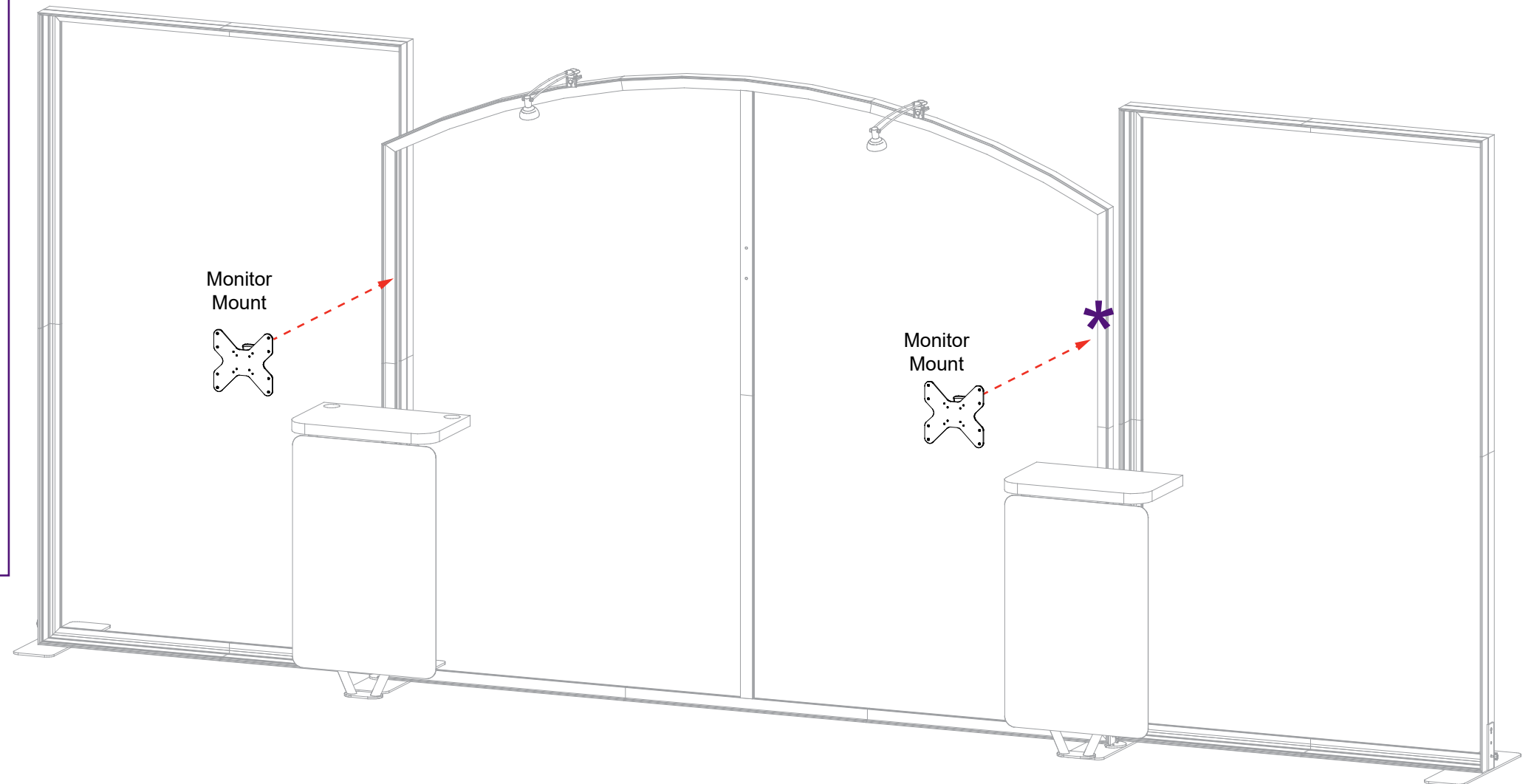
③ Tighten thumb screws to secure connection to inside of frame.



④ Attach Monitor Mount back piece to Bracket.



⑤ Slide monitor mount into back piece.



Completed Assembly

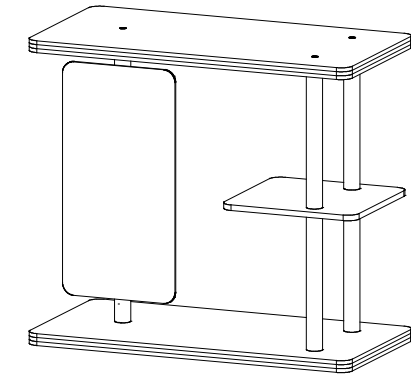


Item	Qty.	Description
--	2	17.25"h aluminum Leg (lower)
--	2	18.5"h aluminum Leg (upper)
--	1	36.5"h aluminum Leg (middle)
--	1	43"w x 21.5"d Counter Base
--	1	17.95"w x 17.92"d Counter Shelf
--	1	43"w x 21.5"d Counter Top

Steps:

*Note: Assemble counter upside-down.*

- 1) Attach upper legs to underside of Counter Top. Twist to tighten.
- 2) Connect lower Legs through Counter Shelf to upper Legs, as shown.
- 3) Attach middle leg to underside of Counter Top. Twist to tighten.  
Note: Holes for standoff graphic should face front of assembly.
- 4) Place Counter Base over lower & middle Legs & secure with wing nuts.
- 5) Turn counter unit over & attach Graphic to middle leg, using **Clamps w/ Velcro**.



When assembled

*Assemble unit upside-down.*

