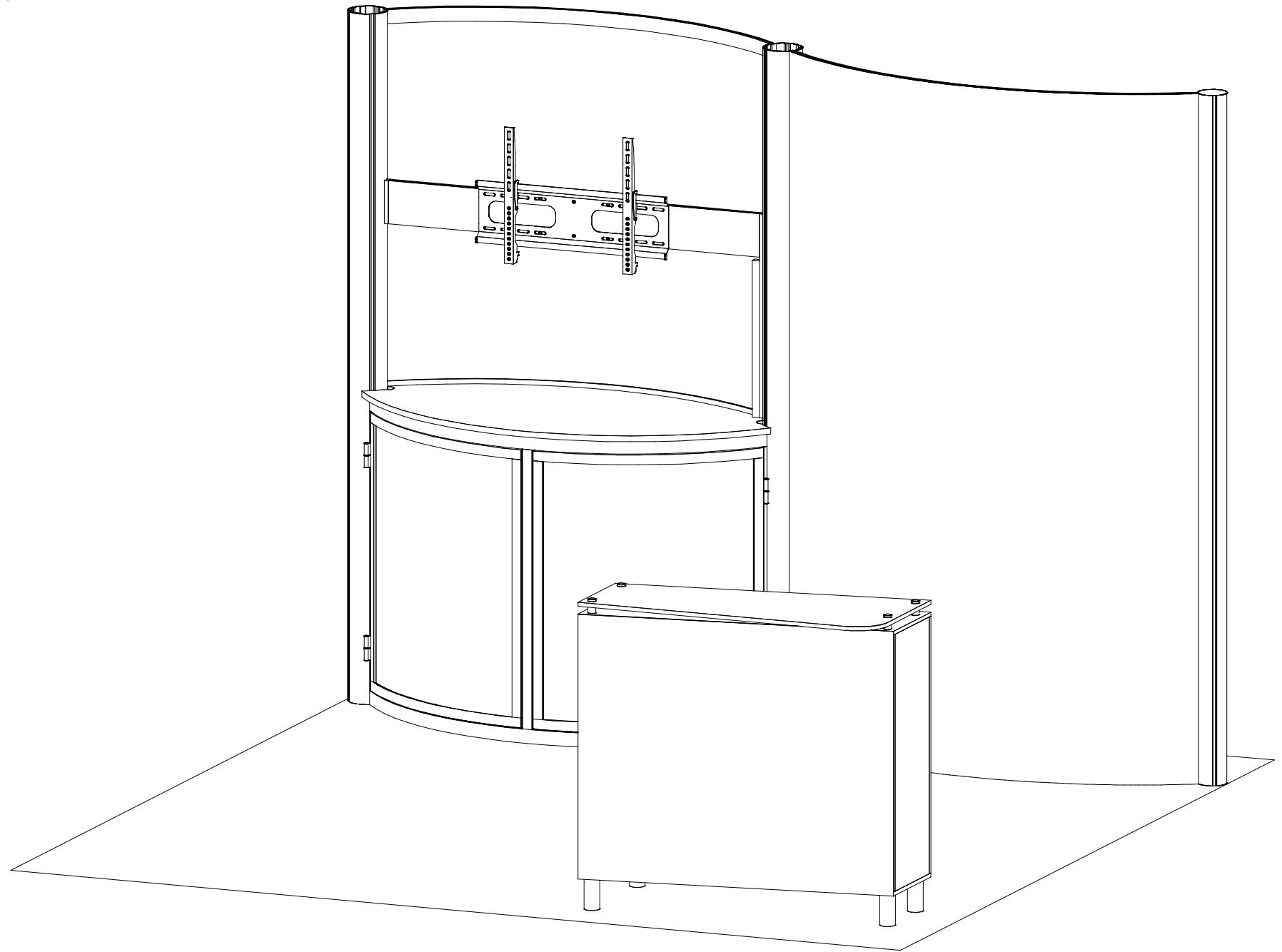
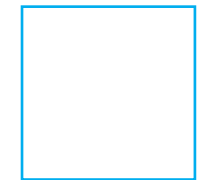
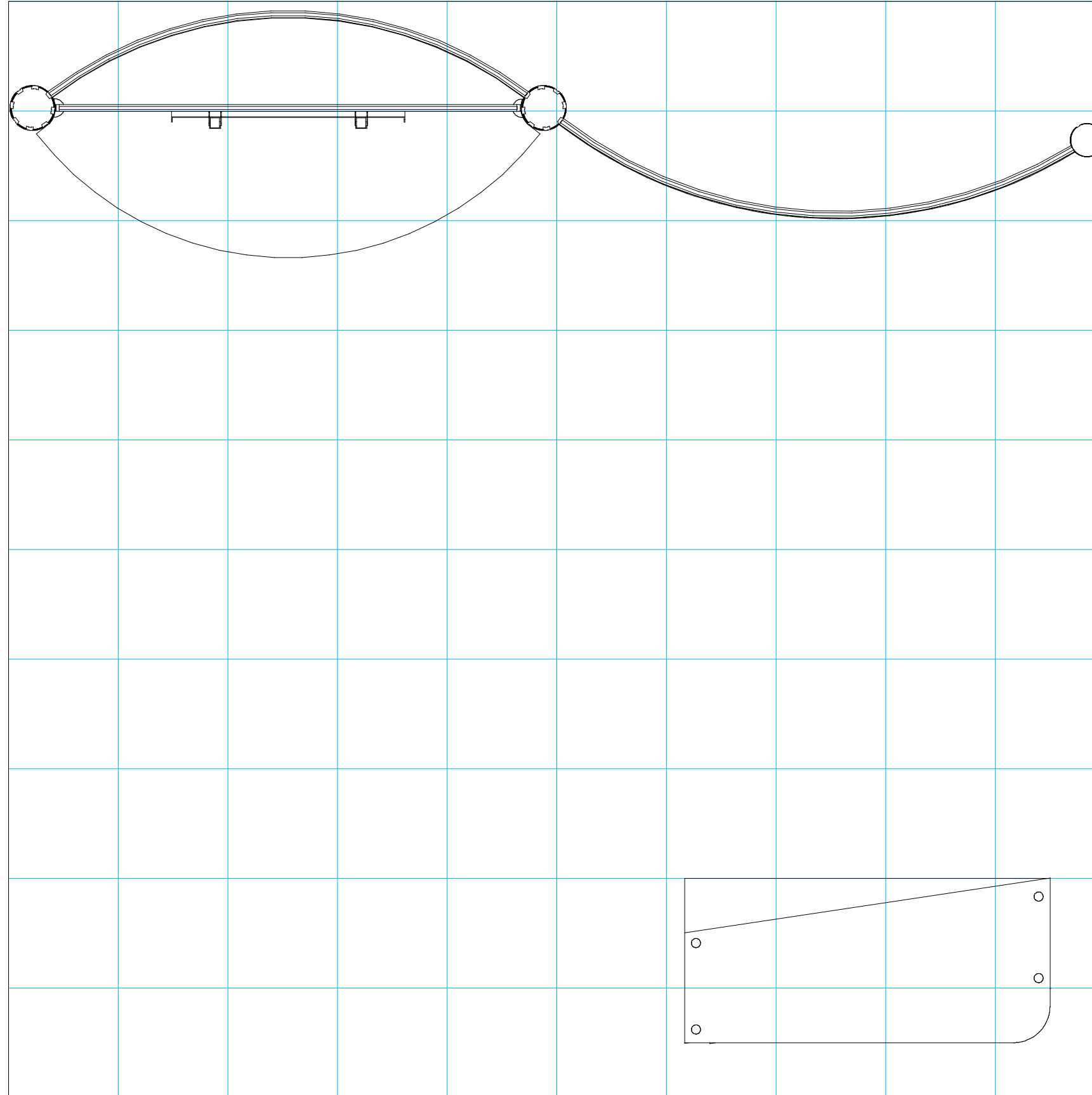


Plan View

10'



SETUP INSTRUCTIONS



= 1 sq foot

General Setup Instructions

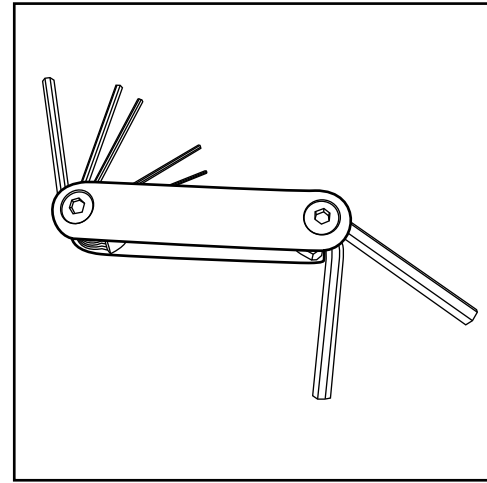
- Read entire setup instruction manual prior to unpacking parts and pieces.
- The setup instructions are created specifically for this configuration.
- Setup instructions are laid out sequentially in steps, including exploded views with detailed explanation for assembly.

Cleaning & Packing

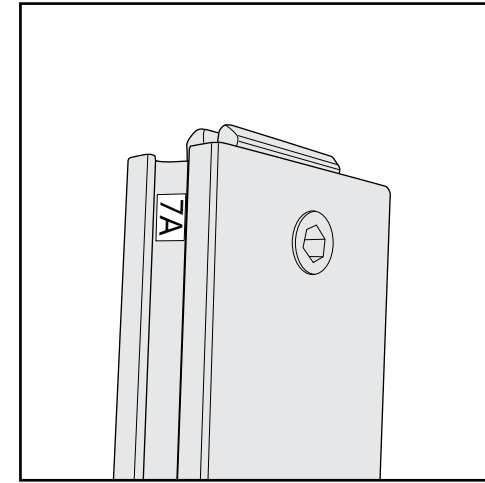
- For Cleaning Metal, Plex, & Laminate Parts: Use a **MILD NON-ABRASIVE** cleanser and soft cloth/paper towel to clean all surfaces.
- Keep exhibit components away from heat and prolonged sun exposure. **Heat and UV exposure will warp and fade components.**
- Retain all provided Packing Materials. All provided packing materials are for ease of repacking & component protection.

Disassembly

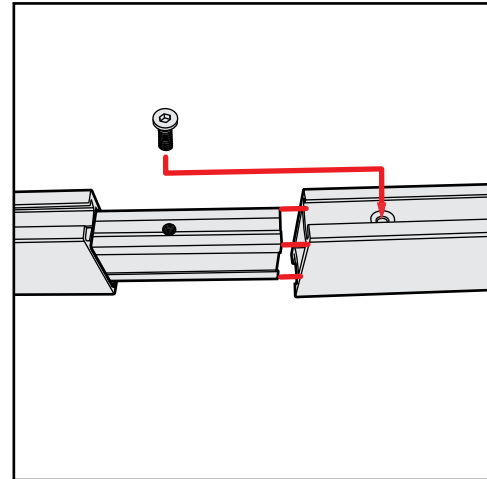
- For loss prevention, tighten all set screws and locks during disassembly.



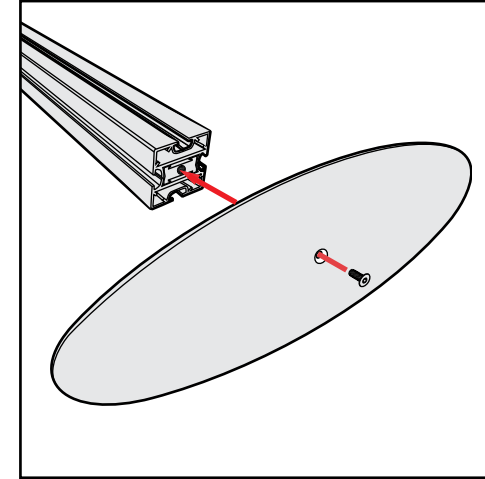
Hex Tool - Essential for Assembly



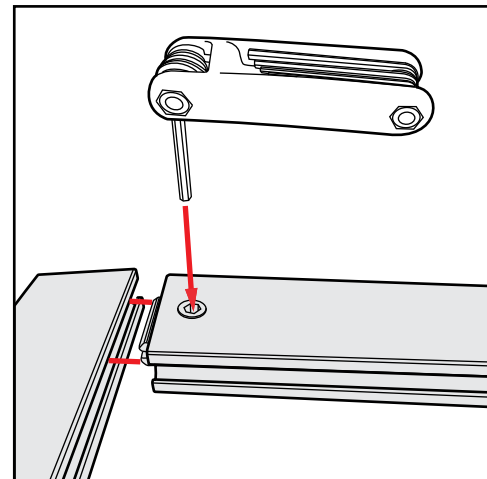
Part Identification - Numbering



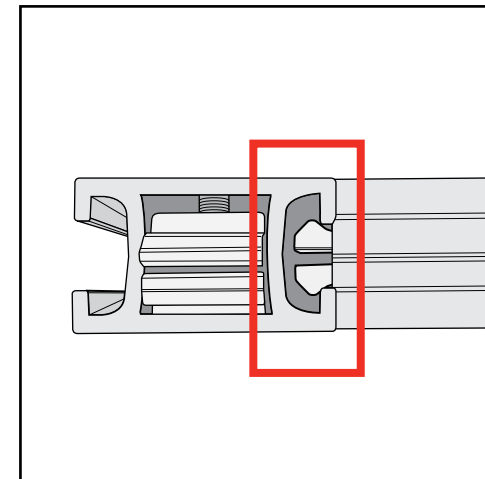
Spline Connection



Base Plate & Extrusion Connection



Extrusion & Lock Connection



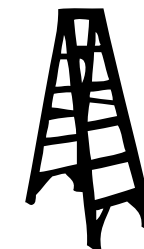
Engaged Lock



WARNING



DO NOT USE POWER TOOLS



LADDERS OR LIFTS
MAY BE REQUIRED



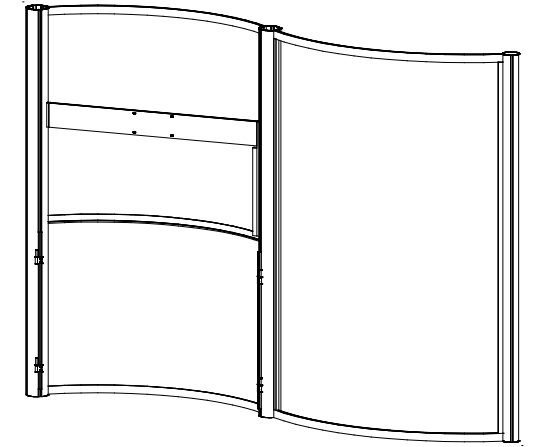
ALL CONNECTIONS MUST
BE TIGHTLY SECURED

CRATE PACKING

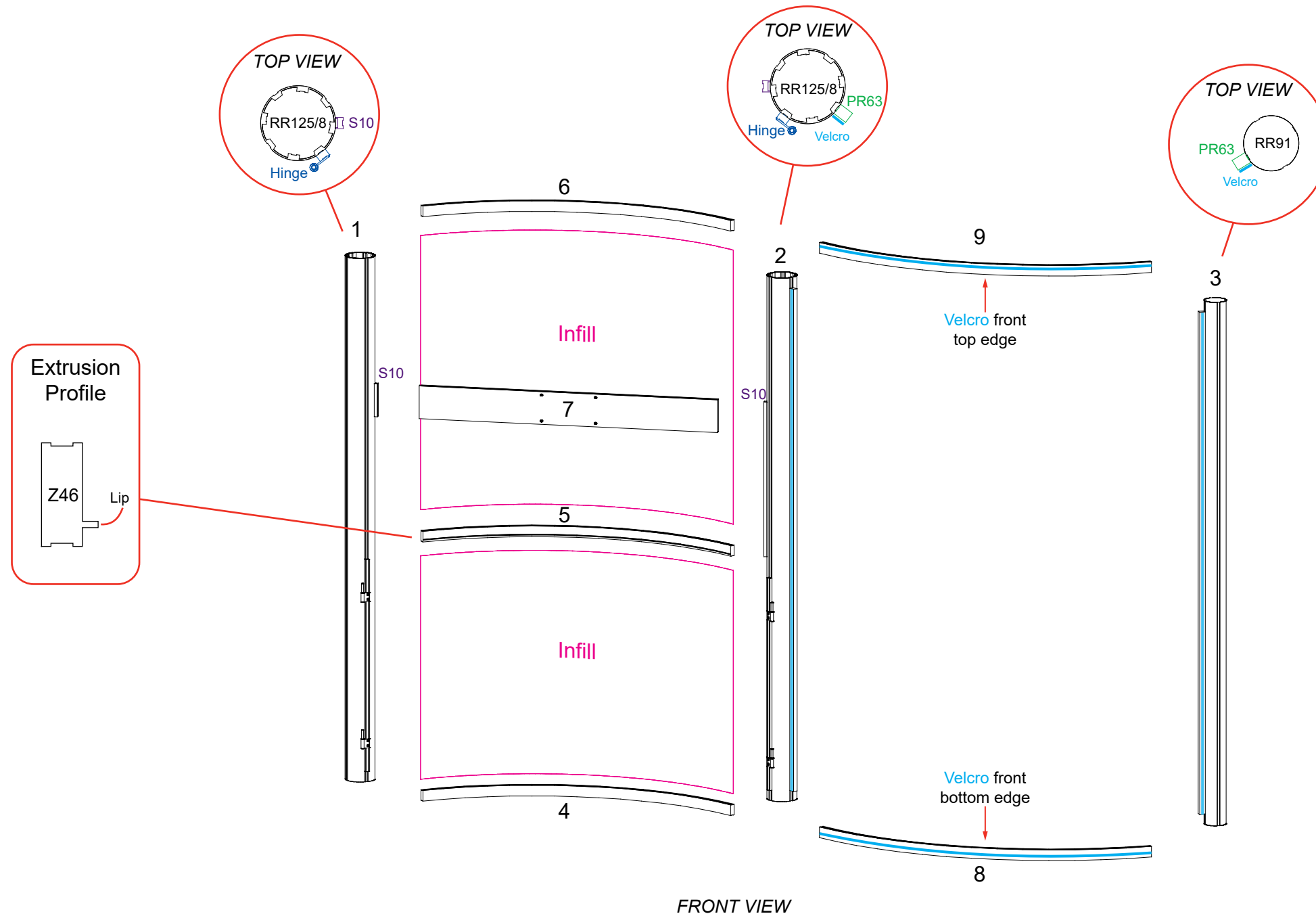
| Item | Qty. | Description |
|------|------|---|
| 1 | 1 | 88"h RR125/8 Vertical Extrusion w/ S10, Door Hinge |
| 2 | 1 | 88"h RR125/8 Vertical Extrusion w/ S10, Door Hinge & PR63 |
| 3 | 1 | 88"h RR91 Vertical Extrusion w/ PR63 |
| 4 | 1 | 56.5"w Z45 curved Horizontal Extrusion |
| 5 | 1 | 56.5"w Z46 curved Horizontal Extrusion |
| 6 | 1 | 56.5"w Z45 curved Horizontal Extrusion |
| 7 | 1 | 50.066"w Z140 Horizontal Extrusion |
| 8 | 1 | 60"w Z45 curved Horizontal Extrusion |
| 9 | 1 | 60"w Z45 curved Horizontal Extrusion |

Steps:

- 1) Assemble horizontals [4,5,6] between verticals [1,2], inserting **infills**.
- 2) Connect horizontal [7] to S10 on verticals [1,2] as shown.
- 3) Attach horizontals [8,9] between verticals [2,3].

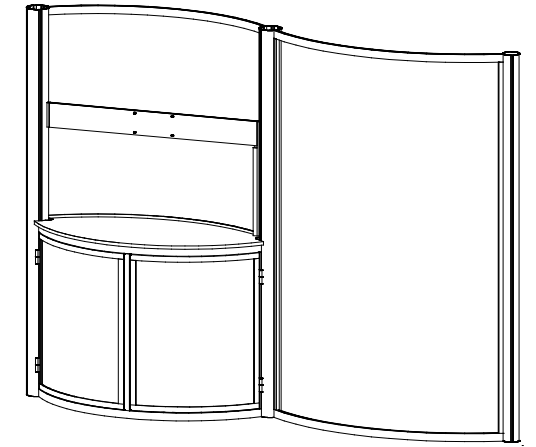


When Assembled

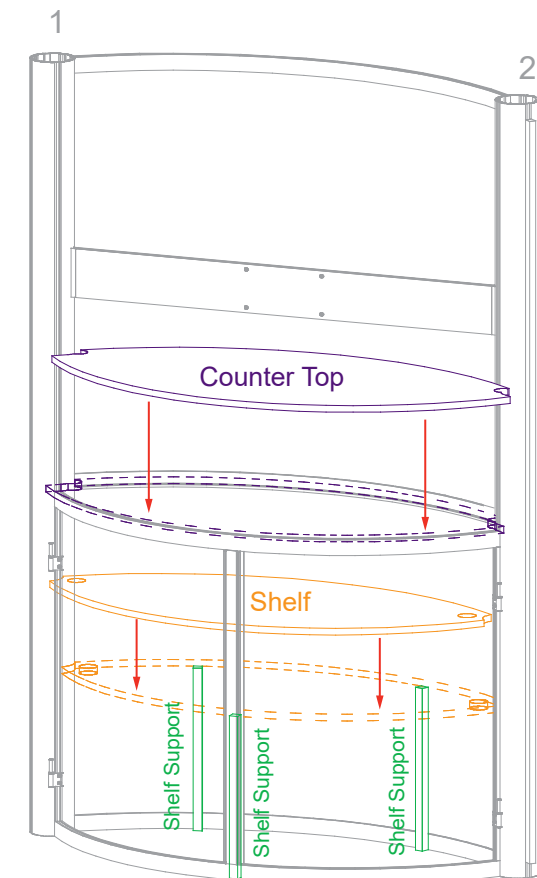
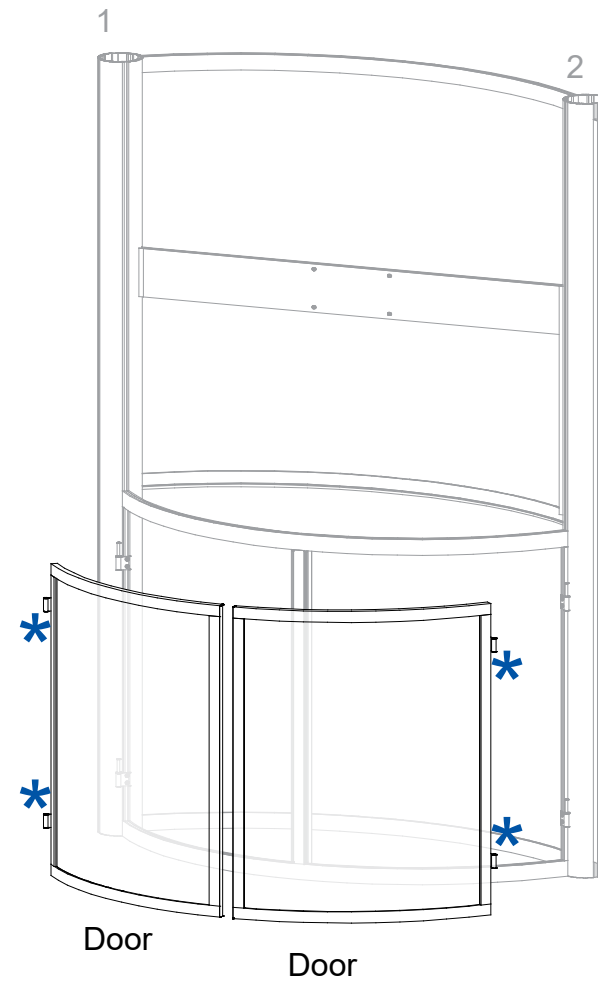
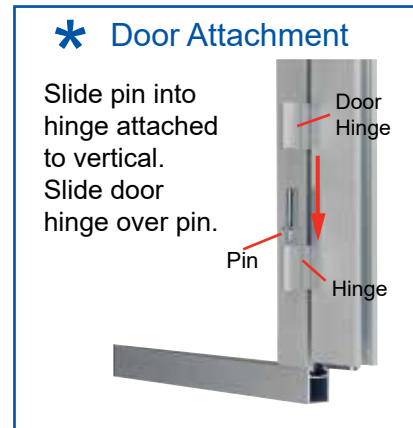
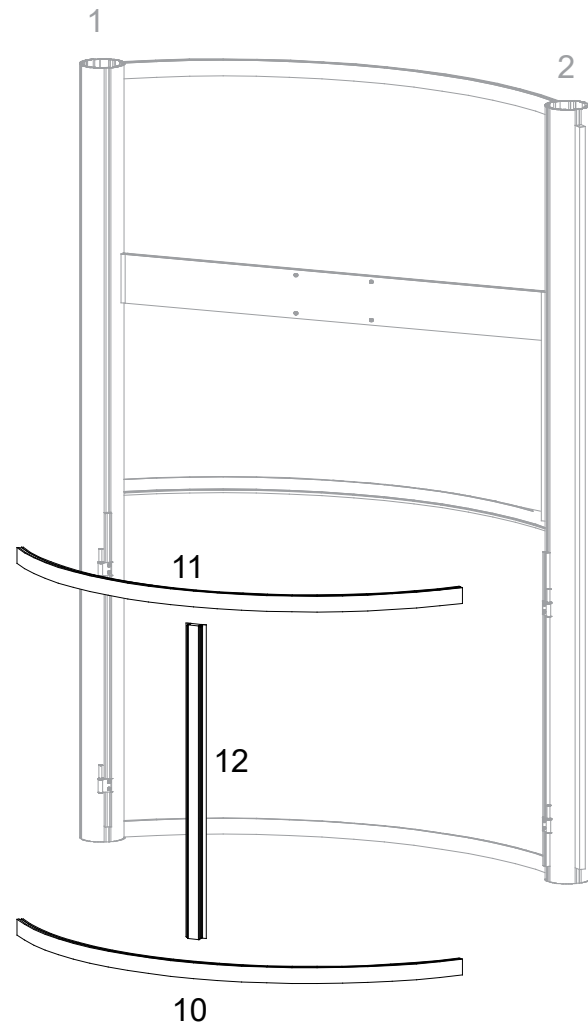


| Item | Qty. | Description |
|------|------|---|
| 10 | 1 | 61.946" w Z45 curved Horizontal Extrusion |
| 11 | 1 | 61.946" w Z45 curved Horizontal Extrusion |
| 12 | 1 | 35.667" h Z33 Vertical Extrusion w/ Door Stoppers |

- Steps:
- 1) Connect horizontal [10] between verticals [1,2].
 - 2) Attach vertical [12] to center point of horizontal [10].
 - 3) Connect horizontal [11] between verticals [1,2], & attach vertical [12] to underside of horizontal [11].
 - 4) Install Doors to hinges on Verticals [1,2]. See [Door Attachment](#) detail.
 - 5) Affix [Shelf Supports](#) to inside of workstation, using Velcro.
 - 6) Place internal [Shelf](#) onto Shelf Supports.
 - 7) Place [Counter Top](#) onto horizontals [5,11].



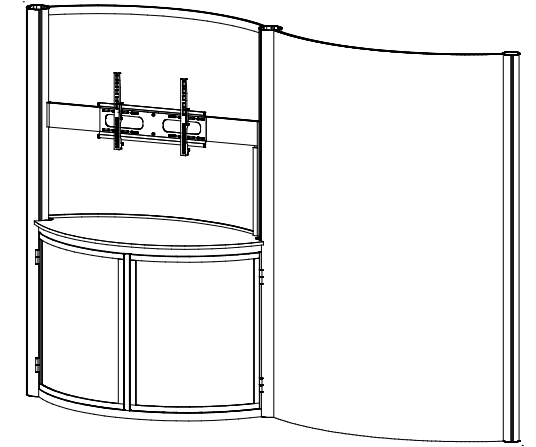
When Assembled



| Item | Qty. | Description |
|------|------|-------------------|
| -- | 1 | 20"h PR63 Conduit |

Steps:

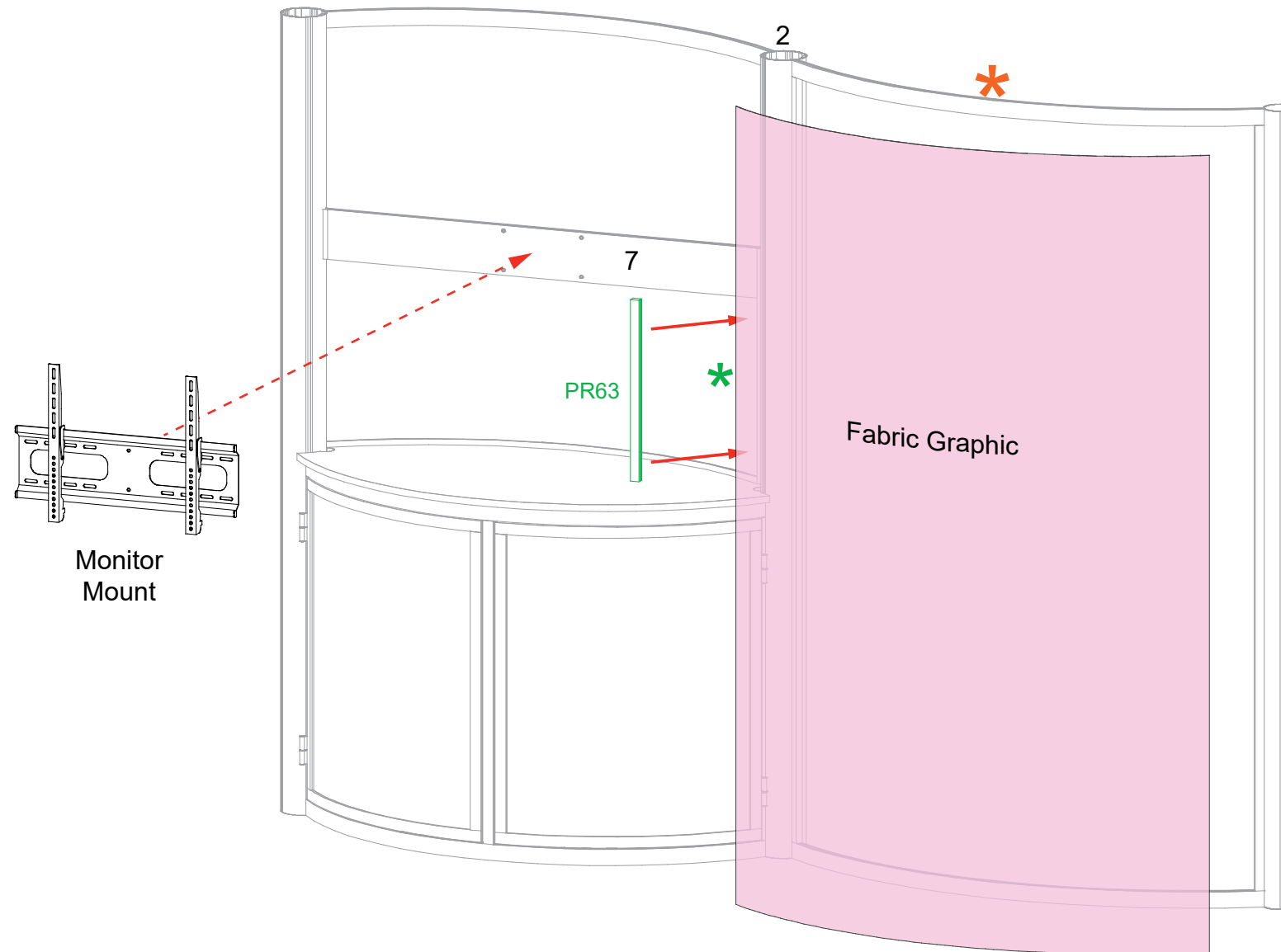
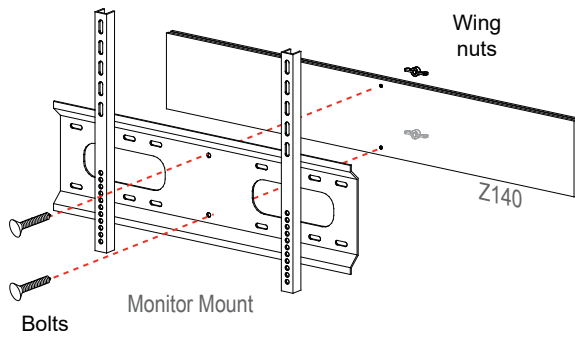
- 1) Install Monitor Mount to horizontal [7]. See **Monitor Mount Attachment** detail.
- 2) Attach PR63 conduit for wire management. See **PR63 Attachment** detail.
- 2) Apply fabric graphic to Velcro on backwall extrusions.
- 3) Attach Light to top of backwall horizontal. See **Light Attachment** detail.



Completed Assembly

*** Monitor Mount Attachment**

Install Monitor Mount to horizontal extrusion using bolts & wing nuts.



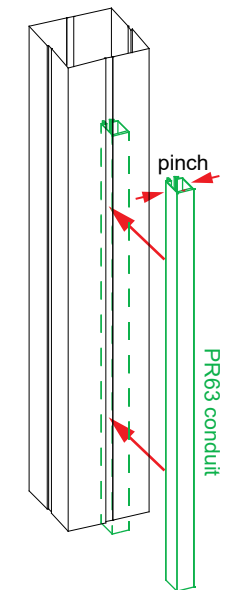
*** Light Attachment**

Lock Clip into Groove of Horizontal Extrusion, then slide Light onto Clip.



Slide light into light receiving hardware

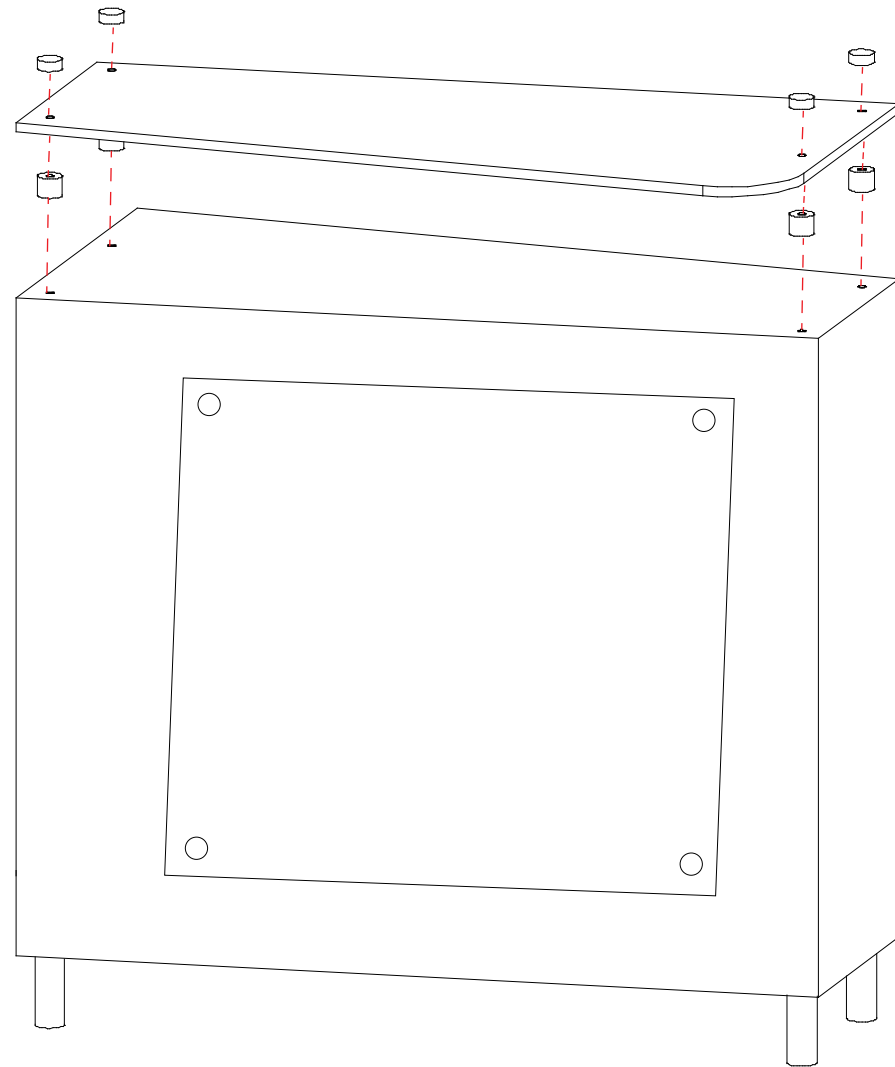
*** PR63 Attachment**



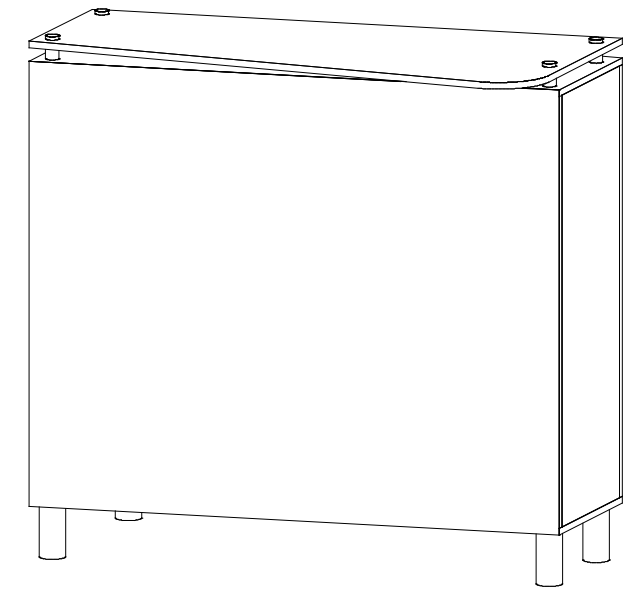
- 1) Run cords through PR63 plastic conduit.
- 2) Attach conduit where indicated by pinching the opening and inserting into the groove of extrusion.

Steps:

1) Attach Acrylic counter top to top of assembled base with standoff screws as shown.

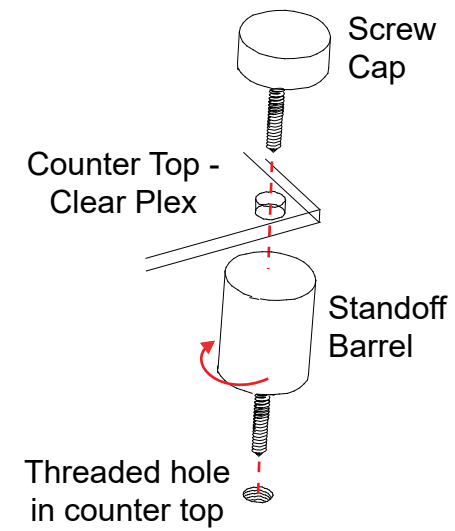


BACK VIEW



When assembled

Acrylic Counter Top Attachment



Attach standoff barrels to top of pedestal and secure in place. Secure upper shelf to standoffs using screw caps.